

FRÄNKISCHE Electrical Systems

**Main Catalogue –
Cable Ducts and Cable Ducting**



Free download:
www.fraenkische-elektro.de

Last modified: June 2012

DRAINAGE SYSTEMS
ELECTRICAL SYSTEMS
BUILDING TECHNOLOGY
INDUSTRIAL PRODUCTS

Flexible joining system for corrugated plastic conduits



Click & go
→ >>> <<< ←

FKC Click

... technology made easy

- easy and quick to join and release
- protection against unintended conduit releases
- compact design facilitates installation in cramped locations
- compatible with conduits from other manufacturers
- sealing reliability even under dynamic conditions and when conduit sections have not been accurately cut (IP66 and IP68)
- small quantity packaging



For more information, please refer to:

www.fraenkische-elektro.de

Table of Contents

FRÄNKISCHE Informs: FKC Click Threaded Connector	2
Table of Contents	3 – 11
Corrugated Plastic Conduits	12 – 17
<u>FFMYD-PA6, FFMYD-L, FFHY, FFTYL-BS, FFTYL-V, FFPYL-MOD-BS</u>	
Corrugated Plastic Conduit Accessories	18 – 35
<u>Threaded Plastic Connectors:</u>	
<u>FKC Click, FKC-B90 Click, FKC-B45 Click, FKC Click Pg, FKC-B90 Click Pg,</u>	
<u>FKC-B45 Click Pg, FKC-I Click, FKC-Z Click, FKC-S Click</u>	
<u>Accessories:</u>	
<u>FKC-M Click, FE-KA, FE-K, FCL, FCLC, T-/Y-Stück</u>	
Resealable Corrugated Conduits	36 – 39
<u>Co-flex PP-UV, Co-flex PP black, Co-flex PP white, Co-flex PA6</u>	
Resealable Corrugated Conduit Accessories	40 – 41
<u>COS, COV, COFIX, insertion tool</u>	
Metal Cable Ducts	42 – 47
<u>FFMSS, FFMSS-K-FD, FFMSS-K, FFMSS-G, FFMSS-VA</u>	
Metal Cable Duct Accessories	49 – 51
<u>FMV, FMV-FD, FMV-W, FMV-I, FME</u>	
Plastic Spiral Conduits	52 – 53
<u>FFKSS-SW, FFKSS-KW</u>	
Plastic Spiral Conduit Accessories	54
<u>FKV-SW, FKV-KW</u>	
Cable Protection Accessories	55 – 57
<u>FKH-M, FGKM, FGMM, FDRM, FRMM, FGKP, FGMP</u>	
Technical Appendix	58 – 63
<u>Standards, definition of protection classes, chemical properties of</u>	
<u>plastics, chemical properties of metals, classification</u>	
Contact	64 – 67
<u>Your connection to us, foreign offices, domestic offices</u>	

Table of Contents: Corrugated Plastic Conduits

FFMYD

12



Material: PA6
Temperature resistance range according to DIN EN 61386-23: -45°C to +120°C
Temperature resistance range according to LV312-3: -40°C to +120°C, short-term temperature resistance +150°C
Colour: black, grey, opaque
Characteristics: non-flame propagating
Flammability: UL 94 V2 / FMVSS 302; self-extinguishing
Classification: 125440

FFMYD-L

13

NEW



Material: PA6
Temperature resistance range according to DIN EN 61386-23: -25°C to +120°C
Temperature resistance range according to LV312-3: -40°C to +120°C, short-term temperature resistance +150°C
Colour: black
Characteristics: non-flame propagating
Flammability: UL 94 V2 / FMVSS 302; self-extinguishing
Classification: 024440

FFHY

14



Material: TPE
Temperature resistance range according to DIN EN 61386-23: -45°C to +105°C
Temperature resistance range according to LV312-3: -30°C to +150°C, short-term temperature resistance +180°C
Colour: black
Characteristics: non-flame propagating
Flammability: UL 94 HB / FMVSS 302; self-extinguishing
Classification: 035340

FFTYL-BS

15

NEW



Material: modified PE-LD
Temperature resistance range according to DIN EN 61386-23: -45°C to +60°C
Temperature resistance range according to LV312-3: -40°C to +70°C, short-term temperature resistance +90°C
Colour: black
Characteristics: non-flame propagating
Flammability: UL 94 HB / FMVSS 302; self-extinguishing
Classification: 045142

FFTYL-V

16



Material: EVA
Temperature resistance range according to LV312-3: -40°C to +55°C, short-term temperature resistance +65°C
Colour: black
Characteristics: non-flame propagating
Flammability: UL 94 HB
Classification: 045042

FFPYL-MOD-BS

17

NEW



Material: modified. PP
Temperature resistance range according to DIN EN 61386-23: -15°C to +60°C
Temperature resistance range according to LV312-3: -40°C to +135°C, short-term temperature resistance +150°C
Colour: black
Characteristics: non-flame propagating
Flammability: UL 94 V2 / FMVSS 302 type B
Classification: 033142

Table of Contents: Corrugated Plastic Conduit Accessories

NEW	FKC Click	20 – 21	NEW	FKC-B90 Click	22 – 23
	Material: PA6 Protection class: IP66/IP68 Temperature resistance range: –40°C to +120°C Colour: black, grey Characteristics: non-flame propagating			Material: PA6 Protection class: IP66/IP68 Temperature resistance range: –40°C to +120°C Colour: black, grey Characteristics: non-flame propagating	
NEW	FKC-B45 Click	24 – 25	NEW	FKC Click Pg	26
	Material: PA6 Protection class: IP66/IP68 Temperature resistance range: –40°C to +120°C Colour: black, grey Characteristics: non-flame propagating			Material: PA6 Protection class: IP66 Temperature resistance range: –40°C to +120°C Colour: black Characteristics: non-flame propagating	
NEW	FKC-B90 Click Pg	27	NEW	FKC-B45 Click Pg	28
	Material: PA6 Protection class: IP66 Temperature resistance range: –40°C to +120°C Colour: black Characteristics: non-flame propagating			Material: PA6 Protection class: IP66 Temperature resistance range: –40°C to +120°C Colour: black Characteristics: non-flame propagating	
NEW	FKC-I Click	29	NEW	FKC-Z Click	30
	Material: PA6 Protection class: IP68 Temperature resistance range: –40°C to +120°C Colour: black Characteristics: non-flame propagating			Material: PA6 Protection class: IP68 Temperature resistance range: –40°C to +120°C Colour: black Characteristics: non-flame propagating	
NEW	FKC-S Click	31	NEW	FKC-M	32
	Material: PA6 Protection class: IP66 Temperature resistance range: –40°C to +120°C Colour: black, grey Characteristics: non-flame propagating			Material: PA6 Protection class: IP66/IP68 Temperature resistance range: –40°C to +120°C Colour: black, grey Characteristics: non-flame propagating	
NEW	FE-KA	33	NEW	FE-K	33
	Material: TPE Temperature resistance range: –30°C to +150°C Colour: black Characteristics: non-flame propagating			Material: PA6 Temperature resistance range: –40°C to +120°C Colour: black Characteristics: non-flame propagating	
NEW	FCL	34	NEW	FCLC	34
	Material: PA6 Temperature resistance range: –40°C to +120°C Colour: black Characteristics: non-flame propagating Flammability: UL 94 HB			Material: PA6 Temperature resistance range: –40°C to +120°C Colour: black Characteristics: non-flame propagating Flammability: UL 94 HB	
T- / Y-piece		35			
	Material: PA6 Temperature resistance range: –40°C to +120°C Colour: black Characteristics: non-flame propagating Flammability: UL 94 HB - V2 / FMVSS 302; self-extinguishing				

Table of Contents: Resealable Corrugated Conduits

Co-flex PP-UV

36



Material: modified PP
Temperature resistance range according to DIN EN 61386-23: -25°C to $+105^{\circ}\text{C}$
Temperature resistance range according to LV312-3: -40°C to $+105^{\circ}\text{C}$, short-term temperature resistance $+130^{\circ}\text{C}$
Colour: black
Characteristics: non-flame propagating
Flammability: UL 94 HB / FMVSS 302
Classification: 134340

Co-flex PP

37



Material: PP
Temperature resistance range according to DIN EN 61386-23: -25°C to $+105^{\circ}\text{C}$
Temperature resistance range according to LV312-3: -40°C to $+135^{\circ}\text{C}$, short-term temperature resistance $+150^{\circ}\text{C}$
Colour: black
Characteristics: non-flame propagating
Flammability: UL 94 V2 / FMVSS 302
Classification: 134340

Co-flex PP-weiß

38



Material: PP
Temperature resistance range according to DIN EN 61386-23: -25°C to $+105^{\circ}\text{C}$
Temperature resistance range according to LV312-3: -40°C to $+135^{\circ}\text{C}$, short-term temperature resistance $+150^{\circ}\text{C}$
Colour: white
Characteristics: non-flame propagating
Flammability: UL 94 V2 / FMVSS 302
Classification: 134340

Co-flex PA6

39



Material: PA6
Temperature resistance range according to DIN EN 61386-23: -25°C to $+150^{\circ}\text{C}$
Temperature resistance range according to LV312-3: -40°C to $+120^{\circ}\text{C}$, short-term temperature resistance $+150^{\circ}\text{C}$
Colour: black
Characteristics: non-flame propagating
Flammability: UL 94 V2 / FMVSS 302
Classification: 124540

Table of Contents: Resealable Corrugated Conduit Accessories

COS

40



Material: PA6
Temperature resistance range: -40°C to $+120^{\circ}\text{C}$
Colour: black
Characteristics: non-flame propagating
Flammability: self-extinguishing

COV

40



Material: PA6
Protection class: IP43
Temperature resistance range: -40°C to $+120^{\circ}\text{C}$
Colour: black
Characteristics: non-flame propagating
Flammability: UL 94 HB

COFIX

41



Material: PA6
Protection class: IP43
Temperature resistance range: -40°C to $+120^{\circ}\text{C}$
Colour: black
Characteristics: non-flame propagating
Flammability: UL 94 HB

Insertion tool

41



Material: PA6
Colour: black

Table of Contents: Metal Cable Ducts

FFMSS

43



Material: galvanised steel strip
Temperature resistance range: -45°C to $+400^{\circ}\text{C}$
Compressive strength: heavy
Colour: galvanised
Characteristics: non-flame propagating
Classification: 435741

FFMSS-K-FD

44



Material: galvanised steel strip / PVC-P
Temperature resistance range: -25°C to $+60^{\circ}\text{C}$
Compressive strength: heavy
Colour: grey
Characteristics: non-flame propagating
UV-resistant
Classification: 434143

FFMSS-K

45



Material: galvanised steel strip / PVC-P
Temperature resistance range: -25°C to $+60^{\circ}\text{C}$
Compressive strength: heavy
Colour: grey
Characteristics: non-flame propagating
UV-resistant
Classification: 434143

FFMSS-G

46

NEW



Material: galvanised steel strip / metal braiding
Temperature resistance range: -45°C to $+400^{\circ}\text{C}$
Compressive strength: heavy
Colour: galvanised
Characteristics: non-flame propagating
Classification: 435741

FFMSS-VA

47

NEW



Material: stainless steel
Temperature resistance range: -45°C to $+400^{\circ}\text{C}$
Compressive strength: heavy
Colour: stainless steel
Characteristics: non-flame propagating
Classification: 435741

Table of Contents: Metal Cable Duct Accessories

FMV

49



Material: nickel-plated brass
Protection class: IP40
Temperature resistance range: -45°C to $+400^{\circ}\text{C}$
Characteristics: non-flame propagating

FMV-FD

49



Material: nickel-plated brass
Protection class: IP67
Temperature resistance range: -40°C to $+120^{\circ}\text{C}$
Characteristics: non-flame propagating

FMV-W

50

NEW



Material: nickel-plated brass
Protection class: IP67
Temperature resistance range: -40°C to $+120^{\circ}\text{C}$
Characteristics: non-flame propagating

FMV-I

50

NEW



Material: nickel-plated brass
Protection class: IP67
Temperature resistance range: -40°C to $+120^{\circ}\text{C}$
Characteristics: non-flame propagating

FME

51

NEW

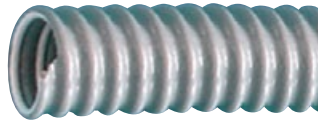


Material: nickel-plated brass
Temperature resistance range: -45°C to $+400^{\circ}\text{C}$
Characteristics: non-flame propagating

Table of Contents: Plastic Spiral Conduits

FFKSS-SW

52



Material: PVC-P / spring steel wire
Temperature resistance range: -25°C to +60°C
Compressive strength: heavy
Colour: grey
Characteristics: non-flame propagating
UV-resistant
Classification: 424140

FFKSS-KW

53



Material: PVC-U / hard plastic spiral
Temperature resistance range: -25°C to +60°C
Compressive strength: very light
Colour: grey
Characteristics: non-flame propagating
UV-resistant
Classification: 134142

FKV-SW

54



Material: PE
Temperature resistance range: -40°C to +110°C
Colour: grey
Characteristics: non-flame propagating

FKV-KW

54



Material: PVC
Temperature resistance range: -20°C to +80°C
Colour: grey
Characteristics: non-flame propagating
Flammability: UL94 V2

Table of Contents: Cable Protection Accessories

FKH-M

55



Material: PP
 Temperature resistance range: -40°C to +120°C
 Colour: grey
 Thread: metric
 Characteristics: non-flame propagating

NEW

FRMM

55



Material: nickel-plated brass
 Temperature resistance range: -45°C to +400°C
 Thread: metric / metric
 Characteristics: non-flame propagating

NEW

FEMM

55



Material: nickel-plated brass
 Temperature resistance range: -45°C to +400°C
 Thread: metric / metric
 Characteristics: non-flame propagating

FGKM

56



Material: PA6
 Temperature resistance range: -40°C to +120°C
 Colour: black
 Thread: metric
 Characteristics: non-flame propagating

FGMM

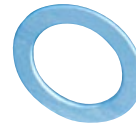
56



Material: nickel-plated brass
 Temperature resistance range: -45°C to +400°C
 Thread: metric
 Characteristics: non-flame propagating

FDRM

56



Colour: grey
 Thread: metric

FGKP

57



Material: PA6
 Temperature resistance range: -40°C to +120°C
 Colour: black
 Thread: Pg
 Characteristics: non-flame propagating

FGMP

57



Material: nickel-plated brass
 Temperature resistance range: -45°C to +400°C
 Thread: Pg
 Characteristics: non-flame propagating

Corrugated Plastic Conduits

FFMYD-PA6



DIN EN 60529
Protection class IP68
VDE 0605
LV312-3
DIN EN 61386-23
Classification: 125440

FFMYD-PA6 is a flexible corrugated polyamide 6 conduit, available in black, grey and opaque. Very light compressive strength, high temperature resistance and cold impact strength in extreme temperatures, zero halogen and non-flame propagating.

Due to good dynamic characteristics used for moving parts and in machine engineering, tool engineering, shipbuilding and railroad construction or as feed conduit in various applications.

Characteristics:

Resistant to: fuels, mineral oils, greases, alkaline substances and most common solvents

Limitedly resistant to: bases, also diluted solutions of bases

Not resistant to: acids, halogens and oxidative compounds

Technical specifications:

- material: polyamide 6 (PA6)
- temperature resistance range according to DIN EN 61386-23: -45°C to +120°C
- temperature resistance range according to LV312-3: -40°C to +120°C, short-term temperature resistance up to +150°C
- compressive strength: very light
- high temperature resistant
- cold impact strength in extreme temperatures
- zero halogen
- non-flame propagating
- flammability: UL 94 V2 / FMVSS 302 self-extinguishing

Cat. no. FFMYD (PA6)			Type	Outside Ø mm	Inside Ø mm	Bend radius* ≥ mm	Packaging in m
black	grey	opaque					
400.007.00	402.007.00	401.007.00	7.5	10.0	6.6	11	50
400.010.00	402.010.00	401.010.00	10	12.8	9.8	15	50
400.012.00	402.012.00	401.012.00	12	15.7	12.3	20	50
400.017.00	402.017.00	401.017.00	17	21.1	16.6	30	50
400.023.00	402.023.00	401.023.00	23	28.4	23.1	40	50
400.029.00	402.029.00	401.029.00	29	34.5	28.9	50	25
400.037.00	402.037.00	401.037.00	37	42.2	34.0	65	25
400.050.00	402.050.00	401.050.00	50	53.8	45.6	90	25

*Min. bend radius (neutral fibre) with a flattening of the conduit outside diameter of ≤ 5%



Please refer to pages 20–35 for **FKC Click threaded connectors and accessories**

All dimensions without tolerances are for reference only.

Corrugated Plastic Conduits

NEW



DIN EN 60529
Protection class IP68
VDE 0605
LV312-3
DIN EN 61386-23
Classification: 024440

FFMYD-L

FFMYD-L is a flexible corrugated polyamide 6 conduit, available in black. High temperature resistance and cold impact strength in extreme temperatures, zero halogen and non-flame propagating.

Due to good dynamic characteristics used for moving parts and in machine engineering, tool engineering, shipbuilding and railroad construction or as feed conduit in various applications.

Characteristics:

Resistant to: fuels, mineral oils, greases, alkaline substances and most common solvents

Limitedly resistant to: bases, also diluted solutions of bases

Not resistant to: acids, halogens and oxidative compounds

Technical specifications:

- material: polyamide 6 (PA6)
- temperature resistance range according to DIN EN 61386-23: -25°C to +120°C
- temperature resistance range according to LV312-3: -40°C to +120°C, short-term temperature resistance up to +150°C
- high temperature resistant
- cold impact strength in extreme temperatures
- zero halogen
- non-flame propagating
- flammability: UL 94 V2 / FMVSS 302 self-extinguishing

Cat. no. FFMYD-L black	Type	Outside Ø mm	Inside Ø mm	Bend radius* ≥ mm	Packaging in m
400.007.08	7.5	10.0	6.8	11	50
400.010.08	10	12.8	10.0	15	50
400.012.08	12	15.7	12.5	20	50
400.017.08	17	21.1	16.8	30	50
400.023.08	23	28.4	23.4	40	50
400.029.08	29	34.5	29.2	50	25
400.037.08	37	41.8	34.0	65	25
400.050.08	50	53.8	46.0	90	25

*Min. bend radius (neutral fibre) with a flattening of the conduit outside diameter of ≤ 5%



Please refer to pages 20–35 for **FK Click threaded connectors and accessories**

Corrugated Plastic Conduits

FFHY



DIN EN 60529
Protection class IP68
VDE 0605
LV312-3
DIN EN 61386-23
Classification: 035340

FFHY is a flexible corrugated conduit made of thermoplastic elastomer, available in black. High temperature resistance and cold impact strength in extreme temperatures, zero halogen and non-flame propagating.

Due to good flexibility and dynamic characteristics used for moving parts and in machine engineering, tool engineering, shipbuilding and railroad construction or as feed conduit in various applications.

Characteristics:

Resistant to: fuels, hydraulic fluid and aromatic compounds

Limitedly resistant to: weak acids and bases, amines and glycols over +70°C

Not resistant to: concentrated sulfuric acid, chlorinated hydrocarbons, phenols

Technical specifications:

- material: thermoplastic elastomer (TPE)
- temperature resistance range according to DIN EN 61386-23: -45°C to +105°C
- temperature resistance range according to LV312-3: -30°C to +150°C, short-term temperature resistance up to +180°C
- high temperature resistant
- cold impact strength in extreme temperatures
- zero halogen
- non-flame propagating
- flammability: UL 94 HB / FMVSS 302; self-extinguishing

Cat. no. FFHY	Type	Outside Ø mm	Inside Ø mm	Bend radius* ≥ mm	Packaging in m
black					
461.004.00	4.5	7.2	4.4	10	100
461.007.00	7.5	10.0	6.5	20	50
461.008.00	8.5	11.5	8.2	20	50
461.010.00	10	12.9	9.9	25	50
461.012.00	12	15.6	11.5	25	50
461.013.00	13	16.0	12.5	30	50
461.017.00	17	21.0	16.4	35	50
461.023.00	23	28.1	23.4	45	50
461.029.00	29	33.8	28.9	55	25
461.037.00	37	41.6	34.1	65	25

*Min. bend radius (neutral fibre) with a flattening of the conduit outside diameter of ≤ 5%



Please refer to pages 20–35 for **FKC Click threaded connectors and accessories**

Corrugated Plastic Conduits

NEW



DIN EN 60529
Protection class IP68
VDE 0605
LV312-3
DIN EN 61386-23
Classification: 045142

FFTYL-BS

FFTYL-BS is a flexible corrugated conduit made of modified low-density polyethylene, available in black. Cold impact strength in extreme temperatures, zero halogen and non-flame propagating.

Used for applications in the home appliance industry, in heating and air-conditioning, in the electrical and medical industry.

Characteristics:

Resistant to: acids, bases, inorganic salts, water and greases

Limitedly resistant to: alcohols, esters, ketones and mineral oils

Not resistant to: fuels, oxidising and aromatic compounds

Technical specifications:

- material: PE-LD, modified
- temperature resistance range according to DIN EN 61386-23: -45°C to +60°C
- temperature resistance range according to LV312-3: -40°C to +70°C, short-term temperature resistance up to +90°C
- cold impact strength in extreme temperatures
- zero halogen
- non-flame propagating
- flammability: UL 94 HB / FMVSS 302; self-extinguishing

Cat. no. FFTYL-BS black	Type	Outside Ø mm	Inside Ø mm	Bend radius* ≥ mm	Packaging in m
323.007.00	7.5	9.9	6.5	12	50
323.010.00	10	12.7	9.8	15	50
323.012.00	12	15.6	11.6	18	50
323.017.00	17	20.8	16.3	30	50
323.023.00	23	27.9	22.9	45	50
323.029.00	29	34.0	28.9	55	25
323.037.00	37	41.5	33.7	75	25
323.050.00	50	53.3	47.1	100	25

*Min. bend radius (neutral fibre) with a flattening of the conduit outside diameter of ≤ 5%



Please refer to pages 20–35 for **FK Click threaded connectors and accessories**

Corrugated Plastic Conduits

FFTYL-V



DIN EN 60529
Protection class IP68
VDE 0605
LV312-3
DIN EN 61386-23
Classification: 045042

FFTYL-V is a flexible corrugated conduit made of EVA, available in black. Cold impact strength in extreme temperatures, zero halogen and non-flame propagating.

Due to its high flexibility used for applications in automation engineering and medical / chemical plant engineering.

Characteristics:

Resistant to: weak and organic acids, bases, inorganic salts, amines, alcohols and greases

Limitedly resistant to: fuels and mineral oils

Not resistant to: strong acids, halogenated and oxidising compounds, ketones and esters

Technical specifications:

- material: EVA
- temperature resistance range according to LV312-3: -40°C to +55°C, short-term temperature resistance up to +65°C
- cold impact strength in extreme temperatures
- zero halogen
- non-flame propagating
- flammability: UL 94 HB

Cat. no. FFTYL-V black	Type	Outside Ø mm	Inside Ø mm	Bend radius* ≥ mm	Packaging in m
336.007.00	7.5	9.9	6.6	18	50
336.010.00	10	12.8	9.7	25	50
336.012.00	12	15.6	11.5	30	50
336.017.00	17	20.8	16.1	45	50
336.023.00	23	28.0	22.5	65	50
336.029.00	29	33.8	28.5	80	25
336.037.00	37	41.5	33.3	105	25
336.050.00	50	53.5	47.0	140	25

*Min. bend radius (neutral fibre) with a flattening of the conduit outside diameter of ≤ 5%



Please refer to pages 20–35 for **FKC Click threaded connectors and accessories**

All dimensions without tolerances are for reference only.

Corrugated Plastic Conduits

NEW



DIN EN 60529
Protection class IP68
VDE 0605
LV312-3
DIN EN 61386-23
Classification: 033142

FFPYL-MOD-BS

FFPYL-MOD-BS is a flexible corrugated conduit made of modified polypropylene, available in black. Non-flame propagating.

Used for applications in the electrical and home appliance industry and in air-conditioning.

Characteristics:

Resistant to: acids, bases, inorganic salts, fuels, mineral oils, greases and most common solvents

Limitedly resistant to: ether

Not resistant to: halogen-containing, oxidising and aromatic compounds

Technical specifications:

- material: modified PP
- temperature resistance range according to DIN EN 61386-23: -15°C to +60°C
- temperature resistance range according to LV312-3: -40°C to +135°C, short-term temperature resistance up to +150°C
- non-flame propagating
- flammability: UL 94 V2 / FMVSS 302 type B

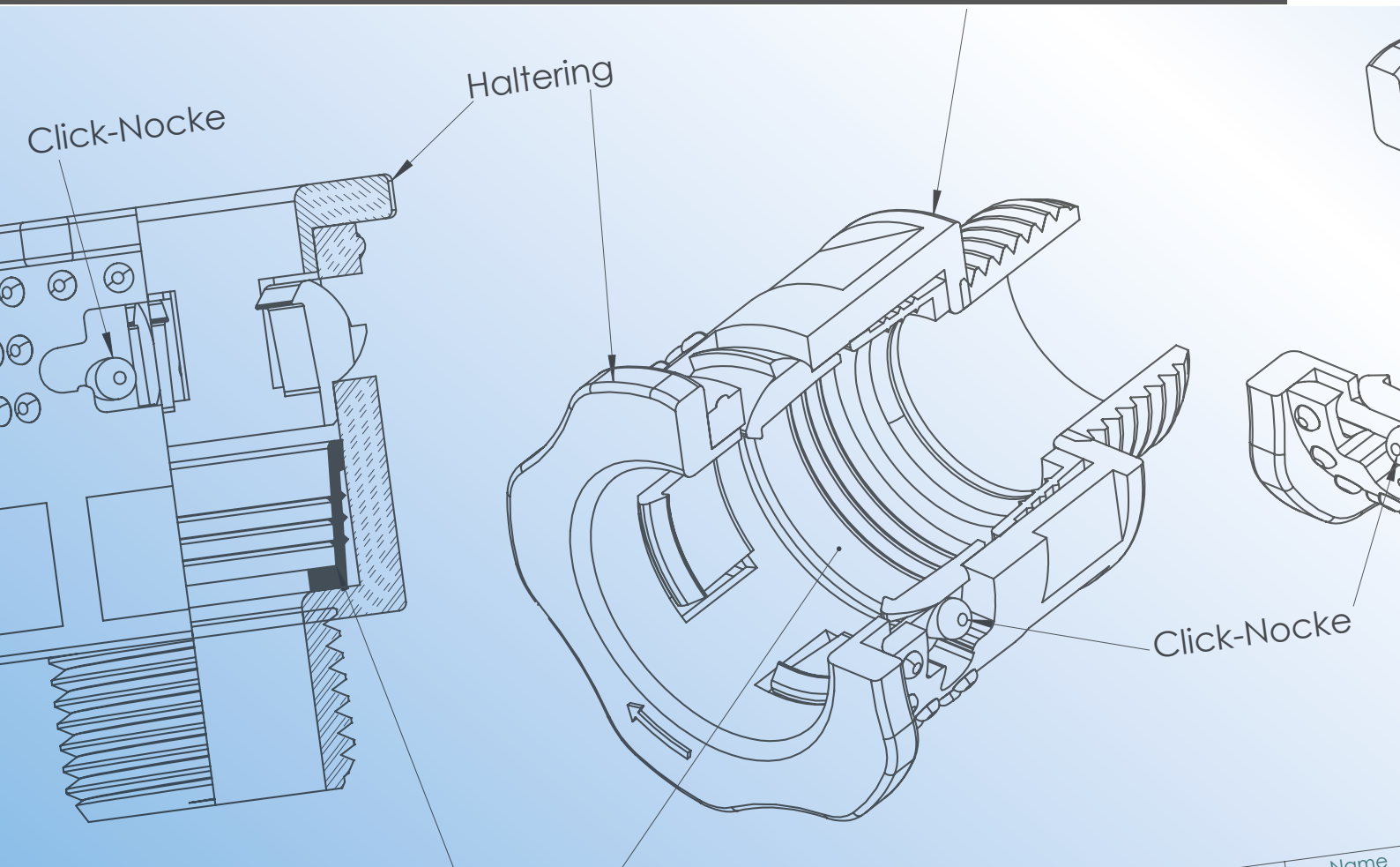
Cat. no. FFPYL-MOD-BS black	Type	Outside Ø mm	Inside Ø mm	Bend radius* ≥ mm	Packaging in m
366.007.00	7.5	9.9	6.9	16	50
366.010.00	10	12.6	10.1	20	50
366.012.00	12	15.6	12.0	25	50
366.017.00	17	21.0	16.8	35	50
366.023.00	23	28.0	23.7	45	50
366.029.00	29	33.9	29.3	55	25

*Min. bend radius (neutral fibre) with a flattening of the conduit outside diameter of ≤ 5%



Please refer to pages 20–35 for **FK Click threaded connectors and accessories**

Corrugated Plastic Conduit Accessories: FKC Click



...conduit installation today – it's as easy as that:

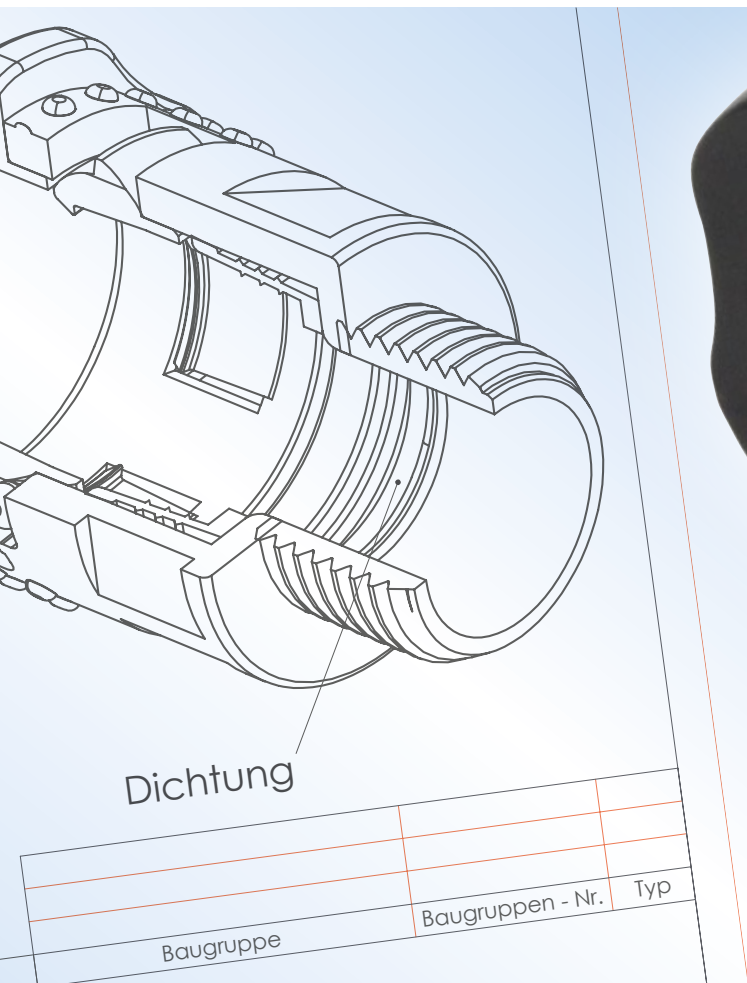
Seize the benefits of FKC Click threaded connectors:

- easy and quick to plug and unplug
- click locking mechanism ensures reliable connections
- protection against unintended conduit releases
- excellent haptics
- compact design
- sealing reliability under dynamic conditions
- small quantity packaging

Conduit installation – it's as easy as that! The innovative click technology of the new FKC Click only requires one action. This allows pipes and conduits to be connected easily also in cramped locations. High grade haptics make working without direct sight possible.

The reliable connection that is established by the click locking mechanism can be released easily but still offers effective protection against unintended conduit releases.





... now available in many different designs

Reliable conduit connections due to FK Click:

- different colour clamps available for protection classes
- compatible with conduits from other manufacturers
- sealing reliability even when conduit sections have not been accurately cut (IP66 und IP68)
- high tensile strength
- compressive and impact strength
- temperature resistance range: -40°C to $+120^{\circ}\text{C}$
- resistant to: fuels, mineral oils, greases, alkaline substances

FRÄNKISCHE products were developed and optimised with practical requirements in mind. This is why FK Click threaded connectors are available in various designs. This allows easy and quick installation under various conditions. The plug connectors are

available as straight and 90° and 45° connectors in various designs. All FK Click threaded connectors are compatible with FRÄNKISCHE corrugated plastic conduits. This guarantees reliable sealing.

Corrugated Plastic Conduit Accessories

NEW



DIN EN 60529
Protection class IP66

FKC Click metric IP66

Straight one-piece polyamide 6 threaded click connector with metric male thread, protection class IP66, zero halogen and non-flame propagating, available in black and grey. Suited for FFMYPD-PA6, FFMYPD-L, FFHY, FFTYL-BS, FFTYL-V and FFPYL-MOD-BS corrugated plastic conduits. To easily and quickly connect and disconnect corrugated conduits. Click locking mechanism prevents unintended conduit releases.

Technical specifications:

- material: polyamide 6 (PA6)
- temperature resistance range: -40°C to +120°C, short-term temperature resistance up to +150°C
- zero halogen
- non-flame propagating

Characteristics:

Resistant to: fuels, mineral oils, greases, alkaline substances and most common solvents

Limitedly resistant to: bases, also diluted solutions of bases

Not resistant to: acids, halogens and oxidative compounds

Cat. no. FKC Click metric IP66		Type	Thread m. x1.5	Inside Ø mm	Outside Ø mm	Thread length mm	Total length mm	Ss mm	Packaging in pcs.
black	grey								
285.10.007	285.10.507	7.5	12	7.3	17.1	11.5	35.5	16	4
285.10.010	285.10.510	10	16	11.5	19.9	11.5	35.8	18	4
285.10.012	285.10.512	12	16	11.5	22.9	11.5	37.4	21	10
285.10.112	285.10.612	12	20	15.3	22.9	11.5	37.4	21	10
285.10.017	285.10.517	17	20	15.3	29.5	11.5	42.3	27	10
285.10.117	285.10.617	17	25	20.3	29.5	13.0	43.8	27	10
285.10.023	285.10.523	23	25	20.3	36.8	13.0	44.9	34	10
285.10.123	285.10.623	23	32	26.0	36.8	14.0	45.9	34	10
285.10.029	285.10.529	29	32	26.0	43.0	14.0	48.7	40	4
285.10.129	285.10.629	29	40	34.0	43.0	14.0	48.7	40	4
285.10.036	285.10.536	36 / 37	40	34.0	51.4	14.0	50.7	48	4
285.10.136	285.10.636	36 / 37	50	42.5	51.4	15.0	51.7	48	4
285.10.048	285.10.548	48 / 50	50	43.0	63.2	15.0	50.7	60	4
285.10.148	285.10.648	48 / 50	63	54.0	63.2	15.0	50.7	60	4



Please refer to page 56 for **FGKM plastic locknuts**

All dimensions without tolerances are for reference only.

Corrugated Plastic Conduit Accessories

NEW



DIN EN 60529
Protection class IP68

FKC Click metric IP68

Straight one-piece polyamide 6 threaded click connector with metric male thread, protection class IP68, zero halogen and non-flame propagating, available in black and grey. Suited for FFMVD-PA6, FFMVD-L, FFHY, FFTYL-BS, FFTYL-V and FFPYL-MOD-BS corrugated plastic conduits. To easily and quickly connect and disconnect corrugated conduits. Click locking mechanism prevents unintended conduit releases.

Technical specifications:

- material: polyamide 6 (PA6)
- temperature resistance range: -40°C to +120°C, short-term temperature resistance up to +150°C
- zero halogen
- non-flame propagating

Characteristics:

Resistant to: fuels, mineral oils, greases, alkaline substances and most common solvents

Limitedly resistant to: bases, also diluted solutions of bases

Not resistant to: acids, halogens and oxidative compounds

Cat. no. FKC Click metric IP68		Type	Thread m. x1.5	Inside Ø mm	Outside Ø mm	Thread length mm	Total length mm	Ss mm	Packaging in pcs.
black	grey								
285.11.007	285.11.507	7.5	12	7.3	17.1	11.5	35.5	16	4
285.11.010	285.11.510	10	16	11.5	19.9	11.5	35.8	18	4
285.11.012	285.11.512	12	16	11.5	22.9	11.5	37.4	21	4
285.11.112	285.11.612	12	20	15.3	22.9	11.5	37.4	21	4
285.11.017	285.11.517	17	20	15.3	29.5	11.5	42.3	27	4
285.11.117	285.11.617	17	25	20.3	29.5	13.0	43.8	27	4
285.11.023	285.11.523	23	25	20.3	36.8	13.0	44.9	34	4
285.11.123	285.11.623	23	32	26.0	36.8	14.0	45.9	34	4
285.11.129	285.11.629	29	40	34.0	43.0	14.0	48.7	40	4
285.11.136	285.11.636	36 / 37	50	42.5	51.4	15.0	51.7	48	4
285.11.148	285.11.648	48 / 50	63	54.0	63.2	15.0	50.7	60	4



Please refer to page 56 for **FGKM plastic locknuts**

Corrugated Plastic Conduit Accessories

NEW



DIN EN 60529
Protection class IP66

FKC-B90 Click metric IP66

90° one-piece polyamide 6 click elbow with metric male thread, protection class IP66, zero halogen and non-flame propagating, available in black and grey. Suited for FFMYD-PA6, FFMYD-L, FFHY, FFTYL-BS, FFTYL-V and FFPYL-MOD-BS corrugated plastic conduits. To easily and quickly connect and disconnect corrugated conduits. Click locking mechanism prevents unintended conduit releases.

Characteristics:

Resistant to: fuels, mineral oils, greases, alkaline substances and most common solvents

Limitedly resistant to: bases, also diluted solutions of bases

Not resistant to: acids, halogens and oxidative compounds

Technical specifications:

- material: polyamide 6 (PA6)
- temperature resistance range: -40°C to +120°C, short-term temperature resistance up to +150°C
- zero halogen
- non-flame propagating

Cat. no. FKC-B90 Click metric IP66		Type	Thread m. x1.5	Inside Ø mm	Outside Ø mm	Thread length mm	Total length mm	Total width mm	Ss mm	Pack- aging in pcs.
black	grey									
285.20.007	285.20.507	7,5	12	7.3	17.1	11.5	41.1	35.2	16	4
285.20.010	285.20.510	10	16	11.5	19.9	11.5	44.4	39.7	18	4
285.20.012	285.20.512	12	16	11.5	22.9	11.5	49.0	42.3	21	10
285.20.112	285.20.612	12	20	15.3	22.9	11.5	50.9	42.3	21	10
285.20.017	285.20.517	17	20	15.3	29.5	11.5	60.3	50.7	27	10
285.20.117	285.20.617	17	25	20.3	29.5	13.0	60.3	52.2	27	10
285.20.023	285.20.523	23	25	20.3	36.8	13.0	69.1	61.0	34	10
285.20.123	285.20.623	23	32	26.0	36.8	14.0	68.7	61.5	34	10
285.20.029	285.20.529	29	32	26.0	43.0	14.0	78.1	66.2	40	4
285.20.129	285.20.629	29	40	34.0	43.0	14.0	83.7	65.7	40	4
285.20.036	285.20.536	36 / 37	40	34.0	51.4	13.0	88.8	75.3	48	4
285.20.136	285.20.636	36 / 37	50	42.5	51.4	15.0	92.7	76.8	48	4
285.20.048	285.20.548	48 / 50	50	42.5	63.2	15.0	99.3	86.4	60	4
285.20.148	285.20.648	48 / 50	63	54.0	63.2	15.0	105.3	86.4	60	4



Please refer to page 56 for **FGKM plastic locknuts**

All dimensions without tolerances are for reference only.

Corrugated Plastic Conduit Accessories

NEW



DIN EN 60529
Protection class IP68

FKC-B90 Click metric IP68

90° one-piece polyamide 6 click elbow with metric male thread, protection class IP68, zero halogen and non-flame propagating, available in black and grey. Suited for FFMYPD-PA6, FFMYPD-L, FFHY, FFTYL-BS, FFTYL-V and FFPYL-MOD-BS corrugated plastic conduits.

To easily and quickly connect and disconnect corrugated conduits. Click locking mechanism prevents unintended conduit releases.

Characteristics:

Resistant to: fuels, mineral oils, greases, alkaline substances and most common solvents

Limitedly resistant to: bases, also diluted solutions of bases

Not resistant to: acids, halogens and oxidative compounds

Technical specifications:

- material: polyamide 6 (PA6)
- temperature resistance range: -40°C to +120°C, short-term temperature resistance up to +150°C
- zero halogen
- non-flame propagating

Cat. no. FKC-B90 Click metric IP68		Type	Thread m. x1.5	Inside Ø mm	Outside Ø mm	Thread length mm	Total length mm	Total width mm	Ss mm	Pack- aging in pcs.
black	grey									
285.21.007	285.21.507	7.5	12	7.3	17.1	11.5	41.1	35.2	16	4
285.21.010	285.21.510	10	16	11.5	19.9	11.5	44.4	39.7	18	4
285.21.012	285.21.512	12	16	11.5	22.9	11.5	49.0	42.3	21	4
285.21.112	285.21.612	12	20	15.3	22.9	11.5	50.9	42.3	21	4
285.21.017	285.21.517	17	20	15.3	29.5	11.5	60.3	50.7	27	4
285.21.117	285.21.617	17	25	20.3	29.5	13.0	60.3	52.2	27	4
285.21.023	285.21.523	23	25	20.3	36.8	13.0	69.1	61.0	34	4
285.21.123	285.21.623	23	32	26.0	36.8	14.0	68.7	61.5	34	4
285.21.129	285.21.629	29	40	34.0	43.0	14.0	83.7	65.7	40	4
285.21.136	285.21.636	36 / 37	50	42.5	51.4	15.0	92.7	76.8	48	4
285.21.148	285.21.648	48 / 50	63	54.0	63.2	15.0	105.3	86.4	60	4



Please refer to page 56 for **FGKM plastic locknuts**

Corrugated Plastic Conduit Accessories

NEW



DIN EN 60529
Protection class IP66

FKC-B45 Click metric IP66

45° one-piece polyamide 6 click elbow with metric male thread, protection class IP66, zero halogen and non-flame propagating, available in black and grey. Suited for FFMYD-PA6, FFMYD-L, FFHY, FFTYL-BS, FFTYL-V and FFPYL-MOD-BS corrugated plastic conduits.

To easily and quickly connect and disconnect corrugated conduits. Click locking mechanism prevents unintended conduit releases.

Characteristics:

Resistant to: fuels, mineral oils, greases, alkaline substances and most common solvents

Limitedly resistant to: bases, also diluted solutions of bases

Not resistant to: acids, halogens and oxidative compounds

Technical specifications:

- material: polyamide 6 (PA6)
- temperature resistance range: -40°C to +120°C, short-term temperature resistance up to +150°C
- zero halogen
- non-flame propagating

Cat. no. FKC-B45 Click metric IP66		Type	Thread m. x1.5	Inside Ø mm	Out- side Ø mm	Thread length mm	Total length mm	Total width mm	Ss mm	Pack- aging in pcs.
black	grey									
285.25.007	285.25.507	7.5	12	7.3	17.1	11.5	42.8	29.2	16	4
285.25.010	285.25.510	10	16	11.5	19.9	11.5	46.0	32.7	18	4
285.25.012	285.25.512	12	16	11.5	22.9	11.5	48.7	34.5	21	4
285.25.017	285.25.517	17	20	15.3	29.5	11.5	58.2	41.6	27	4
285.25.117	285.25.617	17	25	20.3	29.5	13.0	61.0	44.5	27	4
285.25.023	285.25.523	23	25	20.3	36.8	13.0	64.1	49.9	34	4
285.25.123	285.25.623	23	32	26.0	36.8	14.0	67.6	53.3	34	4
285.25.129	285.25.629	29	40	34.0	49.0	14.0	75.8	59.2	40	4
285.25.136	285.25.636	36 / 37	50	42.5	56.0	15.0	83.9	69.3	48	4
285.25.148	285.25.648	48 / 50	63	54.0	70.0	15.0	97.1	79.7	60	4



Please refer to page 56 for **FGKM plastic locknuts**

All dimensions without tolerances are for reference only.

Corrugated Plastic Conduit Accessories

NEW



DIN EN 60529
Protection class IP68

FKC-B45 Click metric IP68

45° one-piece polyamide 6 click elbow with metric male thread, protection class IP68, zero halogen and non-flame propagating, available in black and grey. Suited for FFMYD-PA6, FFMYD-L, FFHY, FFTYL-BS, FFTYL-V and FFPYL-MOD-BS corrugated plastic conduits. To easily and quickly connect and disconnect corrugated conduits. Click locking mechanism prevents unintended conduit releases.

Technical specifications:

- material: polyamide 6 (PA6)
- temperature resistance range: -40°C to +120°C, short-term temperature resistance up to +150°C
- zero halogen
- non-flame propagating

Characteristics:

Resistant to: fuels, mineral oils, greases, alkaline substances and most common solvents

Limitedly resistant to: bases, also diluted solutions of bases

Not resistant to: acids, halogens and oxidative compounds

Cat. no. FKC-B45 Click metric IP68		Type	Thread m. x1.5	Inside Ø mm	Outside Ø mm	Thread length mm	Total length mm	Total width mm	Ss mm	Pack- aging in pcs.
black	grey									
285.26.007	285.26.507	7,5	12	7.3	17.1	11.5	42.8	29.2	16	4
285.26.010	285.26.510	10	16	11.5	19.9	11.5	46.0	32.7	18	4
285.26.012	285.26.512	12	16	11.5	22.9	11.5	48.7	34.5	21	4
285.26.017	285.26.517	17	20	15.3	29.5	11.5	58.2	41.6	27	4
285.26.117	285.26.617	17	25	20.3	29.5	13.0	61.0	44.5	27	4
285.26.023	285.26.523	23	25	20.3	36.8	13.0	64.1	49.9	34	4
285.26.123	285.26.623	23	32	26.0	36.8	14.0	67.6	53.3	34	4
285.26.129	285.26.629	29	40	34.0	49.0	14.0	75.8	59.2	40	4
285.26.136	285.26.636	36 / 37	50	42.5	56.0	15.0	83.9	69.3	48	4
285.26.148	285.26.648	48 / 50	63	54.0	70.0	15.0	97.1	79.7	60	4



Please refer to page 56 for **FGKM plastic locknuts**

Corrugated Plastic Conduit Accessories

NEW



DIN EN 60529
Protection class IP66

FKC Click Pg IP66

Straight one-piece polyamide 6 threaded click connector with Pg male thread, protection class IP66, zero halogen and non-flame propagating, available in black. Suited for FFMYD-PA6, FFMYD-L, FFHY, FFTYL-BS, FFTYL-V and FFPYL-MOD-BS corrugated plastic conduits.

To easily and quickly connect and disconnect corrugated conduits. Click locking mechanism prevents unintended conduit releases.

Characteristics:

Resistant to: fuels, mineral oils, greases, alkaline substances and most common solvents

Limitedly resistant to: bases, also diluted solutions of bases

Not resistant to: acids, halogens and oxidative compounds

Technical specifications:

- material: polyamide 6 (PA6)
- temperature resistance range: -40°C to +120°C, short-term temperature resistance up to +150°C
- zero halogen
- non-flame propagating

Cat. no. FKC Click Pg IP66	Type	Thread Pg.	Inside Ø mm	Outside Ø mm	Thread length mm	Total length mm	Ss mm	Packag- ing in pcs.
black								
285.60.007	7.5	7	7.3	17.1	11.5	35.5	16	4
285.60.010	10	9	11.0	19.9	11.5	35.8	18	4
285.60.012	12	11	14.3	22.9	11.5	37.4	21	10
285.60.017	17	16	17.0	29.5	13.0	43.8	27	10
285.60.023	23	21	23.3	36.8	13.0	44.9	34	10
285.60.029	29	29	30.0	43.0	14.0	48.7	40	4
285.60.036	36 / 37	36	41.0	51.4	15.0	51.7	48	4
285.60.048	48 / 50	48	52.4	63.2	15.0	50.7	60	4



Please refer to page 57 for **FGKP plastic locknuts**

All dimensions without tolerances are for reference only.

Corrugated Plastic Conduit Accessories

NEW



DIN EN 60529
Protection class IP66

FKC-B90 Click Pg IP66

90° one-piece polyamide 6 click elbow with Pg male thread, protection class IP66, zero halogen and non-flame propagating, available in black. Suited for FFMVD-PA6, FFMVD-L, FFHY, FFTYL-BS, FFTYL-V and FFPYL-MOD-BS corrugated plastic conduits.

To easily and quickly connect and disconnect corrugated conduits. Click locking mechanism prevents unintended conduit releases.

Characteristics:

Resistant to: fuels, mineral oils, greases, alkaline substances and most common solvents

Limitedly resistant to: bases, also diluted solutions of bases

Not resistant to: acids, halogens and oxidative compounds

Technical specifications:

- material: polyamide 6 (PA6)
- temperature resistance range: -40°C to +120°C, short-term temperature resistance up to +150°C
- zero halogen
- non-flame propagating

Cat. no. FKC-B90 Click Pg IP66	Type	Thread Pg.	Inside Ø mm	Outside Ø mm	Thread length mm	Total length mm	Total width mm	Ss mm	Pack- aging in pcs.
black									
285.70.007	7.5	7	7.3	17.1	11.5	41.1	35.2	16	4
285.70.010	10	9	11.0	19.9	11.5	44.4	39.7	18	4
285.70.012	12	11	14.3	22.9	11.5	49.0	42.3	21	4
285.70.017	17	16	17.0	29.5	11.5	60.3	50.7	27	4
285.70.023	23	21	23.3	36.8	13.0	69.1	61.0	34	4
285.70.029	29	29	30.0	43.0	14.0	78.1	66.2	40	4
285.70.036	36 / 37	36	41.0	51.4	13.0	88.8	75.3	48	4
285.70.048	48 / 50	48	52.4	63.2	15.0	99.3	86.4	60	4



Please refer to page 57 for **FGKP plastic locknuts**

Corrugated Plastic Conduit Accessories

NEW



DIN EN 60529
Protection class IP66

FKC-B45 Click Pg IP66

45° one-piece polyamide 6 click elbow with Pg male thread, protection class IP66, zero halogen and non-flame propagating, available in black. Suited for FFMYPD-PA6, FFMYPD-L, FFHY, FFTYL-BS, FFTYL-V and FFPYL-MOD-BS corrugated plastic conduits.

To easily and quickly connect and disconnect corrugated conduits. Click locking mechanism prevents unintended conduit releases.

Characteristics:

Resistant to: fuels, mineral oils, greases, alkaline substances and most common solvents

Limitedly resistant to: bases, also diluted solutions of bases

Not resistant to: acids, halogens and oxidative compounds

Technical specifications:

- material: polyamide 6 (PA6)
- temperature resistance range: -40°C to +120°C, short-term temperature resistance up to +150°C
- zero halogen
- non-flame propagating

Cat. no. FKC-B45 Click Pg IP66	Type	Thread Pg.	Inside Ø mm	Outside Ø mm	Thread length mm	Total length mm	Total width mm	Ss mm	Pack- aging in pcs.
black									
285.75.007	7.5	7	7.3	17.1	11.5	42.8	29.2	16	4
285.75.010	10	9	11.0	19.9	11.5	46.0	32.7	18	4
285.75.012	12	11	14.3	22.9	11.5	48.7	34.5	21	4
285.75.017	17	16	17.0	29.5	11.5	61.0	41.6	27	4
285.75.023	23	21	23.3	36.8	13.0	64.1	49.9	34	4
285.75.029	29	29	30.0	43.0	14.0	75.8	59.2	40	4
285.75.036	36 / 37	36	41.0	51.4	13.0	83.9	69.3	48	4
285.75.048	48 / 50	48	52.4	63.2	15.0	97.1	79.7	60	4



Please refer to page 57 for **FGKP plastic locknuts**

All dimensions without tolerances are for reference only.

Corrugated Plastic Conduit Accessories

NEW



DIN EN 60529
Protection class IP68

FKC-I Click metric IP68

Straight one-piece polyamide 6 threaded click connector with metric female thread, protection class IP68, zero halogen and non-flame propagating, available in black. Suited for FFMYD-PA6, FFMYD-L, FFHY, FFTYL-BS, FFTYL-V and FFPYL-MOD-BS corrugated plastic conduits.

To easily and quickly connect and disconnect corrugated conduits. Click locking mechanism prevents unintended conduit releases.

Characteristics:

Resistant to: fuels, mineral oils, greases, alkaline substances and most common solvents

Limitedly resistant to: bases, also diluted solutions of bases

Not resistant to: acids, halogens and oxidative compounds

Technical specifications:

- material: polyamide 6 (PA6)
- temperature resistance range: -40°C to $+120^{\circ}\text{C}$, short-term temperature resistance up to $+150^{\circ}\text{C}$
- zero halogen
- non-flame propagating

Cat. no. FKC-I Click metric IP68	Type	Thread m. x1.5	Inside Ø mm	Outside Ø mm	Thread length mm	Total length mm	Ss mm	Packag- ing in pcs.
black								
285.41.010	10	16	14.5	19.9	11.5	35.8	18	4
285.41.012	12	20	18.5	22.9	11.5	37.4	21	4
285.41.017	17	25	23.5	29.5	11.5	42.3	27	4
285.41.023	23	32	30.5	36.8	13.0	44.9	34	4
285.41.029	29	40	38.5	43.0	14.0	48.7	40	4
285.41.036	36 / 37	50	48.5	51.4	14.0	50.7	48	4
285.41.048	48 / 50	63	61.5	63.2	15.0	50.7	60	4

Corrugated Plastic Conduit Accessories

NEW



DIN EN 60529
Protection class IP68

FKC-Z Click metric IP68

Straight two-piece polyamide 6 threaded click connector with metric male thread and strain relief, protection class IP68, zero halogen and non-flame propagating, available in black. Suited for FFMYD-PA6, FFMYD-L, FFHY, FFTYL-BS, FFTYL-V and FFPYL-MOD-BS corrugated plastic conduits. To easily and quickly connect and disconnect corrugated conduits. Click locking mechanism prevents unintended conduit releases.

Technical specifications:

- material: polyamide 6 (PA6)
- temperature resistance range: -40°C to +120°C, short-term temperature resistance up to +150°C
- zero halogen
- non-flame propagating

Characteristics:

Resistant to: fuels, mineral oils, greases, alkaline substances and most common solvents

Limitedly resistant to: bases, also diluted solutions of bases

Not resistant to: acids, halogens and oxidative compounds

Cat. no. FKC-Z Click metric IP68	Type	Thread m. x1.5	Inside Ø mm	Outside Ø mm	Thread length mm	Total length mm	Ss1 mm	Ss2 mm	Packaging in pcs.
black									
285.46.010	10	16	14.5	19.9	11.5	51.5	18	20	4
285.46.012	12	20	18.5	22.9	11.5	53.9	21	23	4
285.46.017	17	25	23.5	29.5	11.5	58.8	27	29	4
285.46.023	23	32	30.5	36.8	13.0	62.9	34	36	4
285.46.029	29	40	38.5	43.0	14.0	67.7	40	42	4
285.46.036	36 / 37	50	48.5	51.4	14.0	69.0	48	50	4
285.46.048	48 / 50	63	61.5	63.2	15.0	70.7	60	62	4



Please refer to page 56 for **FGKM plastic locknuts**

All dimensions without tolerances are for reference only.

Corrugated Plastic Conduit Accessories

NEW



DIN EN 60529
Protection class IP66

FKC-S Click plug connector IP66

Straight one-piece polyamide 6 click plug connector, including O-ring, protection class IP66, zero halogen and non-flame propagating, available in black and grey. Suited for wall thicknesses of 1–2.5mm. Suited for FFMYD-PA6, FFMYD-L, FFHY, FFTYL-BS, FFTYL-V and FFPYL-MOD-BS corrugated plastic conduits.

To easily and quickly connect and disconnect corrugated conduits. Click locking mechanism prevents unintended conduit releases.

Technical specifications:

- material: polyamide 6 (PA6)
- temperature resistance range: –40°C to +120°C, short-term temperature resistance up to +150°C
- zero halogen
- non-flame propagating

Characteristics:

Resistant to: fuels, mineral oils, greases, alkaline substances and most common solvents

Limitedly resistant to: bases, also diluted solutions of bases

Not resistant to: acids, halogens and oxidative compounds

Cat. no. FKC-S Click IP66		Type	Bore Ø mm	Inside Ø mm	Outside Ø mm	Plug length mm	Total length mm	Ss mm	Packag- ing in pcs.
black	grey								
285.50.010	285.50.510	10	15	14.5	19.9	12.7	37.3	18	4
285.50.012	285.50.512	12	18	18.5	22.9	12.7	38.9	21	4
285.50.017	285.50.517	17	22	23.5	29.5	12.7	43.8	27	4
285.50.023	285.50.523	23	28	30.5	36.8	14.2	46.4	34	4
285.50.029	285.50.529	29	37	38.5	43.0	15.2	50.2	40	4
285.50.036	285.50.536	36 / 37	47	48.5	51.4	15.2	52.2	48	4
285.50.048	285.50.548	48 / 50	50	61.5	63.2	16.2	52.2	60	4

Corrugated Plastic Conduit Accessories

NEW



DIN EN 60529
Protection class IP66

FKC-M Click IP66

Straight one-piece polyamide 6 click coupling to connect two corrugated plastic conduits of the same type, protection class IP66, zero halogen and non-flame propagating, available in black and grey.

Suited for FFMYD-PA6, FFMYD-L, FFHY, FFTYL-BS, FFTYL-V and FFPYL-MOD-BS corrugated plastic conduits.

To easily and quickly connect and disconnect corrugated conduits.

Characteristics:

Resistant to: fuels, mineral oils, greases, alkaline substances and most common solvents

Limitedly resistant to: bases, also diluted solutions of bases

Not resistant to: acids, halogens and oxidative compounds

Technical specifications:

- material: polyamide 6 (PA6)
- temperature resistance range: -40°C to +120°C, short-term temperature resistance up to +150°C
- zero halogen
- non-flame propagating

Cat. no. FKC-M IP66		Type	Inside Ø mm	Outside Ø mm	Total length mm	Ss mm	Packaging in pcs.
black	grey						
285.80.012	285.80.512	12	18.5	22.9	52.4	21	5
285.80.017	285.80.517	17	23.5	29.5	62.2	27	5
285.80.023	285.80.523	23	30.5	36.8	64.4	34	5
285.80.029	285.80.529	29	38.5	43.0	70.0	40	5
285.80.036	285.80.536	36 / 37	48.5	51.4	74.0	48	5
285.80.048	285.80.548	48 / 50	61.5	63.2	72.0	60	5

NEW



DIN EN 60529
Protection class IP68

FKC-M Click IP68

Straight one-piece polyamide 6 click coupling to connect two corrugated plastic conduits of the same type, protection class IP68, zero halogen and non-flame propagating, available in black and grey. Suited for FFMYD-PA6, FFMYD-L, FFHY, FFTYL-BS, FFTYL-V and FFPYL-MOD-BS corrugated plastic conduits.

To easily and quickly connect and disconnect corrugated conduits.

Characteristics:

Resistant to: fuels, mineral oils, greases, alkaline substances and most common solvents

Limitedly resistant to: bases, also diluted solutions of bases

Not resistant to: acids, halogens and oxidative compounds

Technical specifications:

- material: polyamide 6 (PA6)
- temperature resistance range: -40°C to +120°C, short-term temperature resistance up to +150°C
- zero halogen
- non-flame propagating

Cat. no. FKC-M IP68		Type	Inside Ø mm	Outside Ø mm	Total length mm	Ss mm	Packaging in pcs.
black	grey						
285.81.012	285.81.512	12	18.5	22.9	52.4	21	5
285.81.017	285.81.517	17	23.5	29.5	62.2	27	5
285.81.023	285.81.523	23	30.5	36.8	64.4	34	5
285.81.029	285.81.529	29	38.5	43.0	70.0	40	5
285.81.036	285.81.536	36 / 37	48.5	51.4	74.0	48	5
285.81.048	285.81.548	48 / 50	61.5	63.2	72.0	60	5

All dimensions without tolerances are for reference only.

Corrugated Plastic Conduit Accessories

NEW



FE-KA

Plastic end cap made of thermoplastic elastomer to run cables through, zero halogen and non-flame propagating, available in black. Suited for FFMYD-PA6, FFMYD-L, FFHY, FFTYL-BS, FFTYL-V and FFPYL-MOD-BS corrugated plastic conduits. To easily and quickly connect and disconnect corrugated conduits.

Characteristics:

Resistant to: fuels, hydraulic fluid and aromatic compounds

Limitedly resistant to: weak acids and bases, amines and glycols over +70°C

Not resistant to: concentrated sulphuric acid, chlorinated hydrocarbons, phenols.

Technical specifications:

- material: thermoplastic elastomer (TPE)
- temperature resistance range: -30°C to +150°C, short-term temperature resistance up to +180°C
- zero halogen
- non-flame propagating

Cat. no. FE-KA	Type	For cable Ø mm	Outside Ø mm	Total length mm	Packaging in pcs.
black					
285.91.007	7.5	1.0–8.0	17.0	29.0	5
285.91.010	10	1.0–10.0	20.0	32.5	10
285.91.012	12	4.0–12.0	22.8	36.5	25
285.91.017	17	6.0–16.5	29.6	37.5	25
285.91.023	23	6.0–23.0	36.2	40.2	25
285.91.029	29	6.0–29.0	42.6	44.2	25
285.91.036	36 / 37	10.0–37.0	50.8	46.0	10
285.91.048	48 / 50	10.0–47.0	63.8	52.0	5

NEW



FE-K

TPE plastic end cap, zero halogen and non-flame propagating, available in black and grey. Suited for FFMYD-PA6, FFMYD-L, FFHY, FFTYL-BS, FFTYL-V and FFPYL-MOD-BS corrugated plastic conduits. To easily and quickly connect and disconnect corrugated conduits.

Characteristics:

Resistant to: fuels, mineral oils, greases, alkaline substances and most common solvents

Limitedly resistant to: bases, also diluted solutions of bases

Not resistant to: acids, halogens and oxidative compounds

Technical specifications:

- material: TPE
- temperature resistance range: -40°C to +120°C, short-term temperature resistance up to +150°C
- zero halogen
- non-flame propagating

Cat. no. FE-K		Type	Outside Ø mm	Inside Ø mm	Total length mm	Total width mm	Packaging in pcs.
black	grey						
285.90.007	285.90.507	7.5	10.0	4.3	12.0	20	5
285.90.010	285.90.510	10	12.8	7.8	15.0	20	10
285.90.012	285.90.512	12	15.7	10.3	17.8	20	25
285.90.017	285.90.517	17	21.1	14.3	23.2	21	25
285.90.023	285.90.523	23	28.4	20.8	30.5	22	25
285.90.029	285.90.529	29	34.5	26.8	36.5	22	25
285.90.036	285.90.536	36 / 37	42.1	33.8	44.5	25	10
285.90.048	285.90.548	48 / 50	53.8	45.8	56.5	25	5

All dimensions without tolerances are for reference only.

Corrugated Plastic Conduit Accessories

NEW



FCL

Polyamide 6 corrugated conduit holder, zero halogen, non-flame propagating, available in black. Suited for FFMYD-PA6, FFMYD-L, FFHY, FFTYL-BS, FFTYL-V and FFPYL-MOD-BS corrugated plastic conduits. The conduit holder can be fixed with screws and can also be mounted onto a C-rail. The various sizes can be used in combination. A limit stop prevents the conduit from moving inside the clamp.

Characteristics:

Resistant to: fuels, mineral oils, greases, alkaline substances and most common solvents

Limitedly resistant to: bases, also diluted solutions of bases

Not resistant to: acids, halogens and oxidative compounds

Technical specifications:

- material: polyamide 6 (PA6)
- temperature resistance range: -40°C to $+120^{\circ}\text{C}$, short-term temperature resistance up to $+150^{\circ}\text{C}$
- zero halogen
- non-flame propagating
- flammability: UL94 HB

Cat. no. FCL black	Type	Total width mm	Total height mm	Total depth mm	Bore Ø mm	Packaging in pcs.
489.40.070	7.5	13.4	20.0	15.0	4.5	100
489.40.100	10	17.4	25.3	15.0	4.5	100
489.40.120	12	19.7	25.4	15.0	4.5	100
489.40.170	17	24.0	29.7	15.0	4.5	100
489.40.230	23	32.2	38.3	15.0	4.5	100
489.40.290	29	39.5	45.0	15.0	4.5	100
489.40.370	37	48.2	53.7	15.0	6.5	100
489.40.500	50	60.0	65.6	15.0	6.5	100

NEW



FCLC

Polyamide 6 cover, zero halogen, non-flame propagating, available in black. Suited for FCL corrugated plastic conduit holder. In addition to securely closing the corrugated plastic conduit holder, the various sizes can be used in combination on this cover.

Characteristics:

Resistant to: fuels, mineral oils, greases, alkaline substances and most common solvents

Limitedly resistant to: bases, also diluted solutions of bases

Not resistant to: acids, halogens and oxidative compounds

Technical specifications:

- material: polyamide 6 (PA6)
- temperature resistance range: -40°C to $+120^{\circ}\text{C}$, short-term temperature resistance up to $+150^{\circ}\text{C}$
- zero halogen
- non-flame propagating
- flammability: UL94 HB

Cat. no. FCLC black	Type	Total width mm	Total depth mm	Packaging in pcs.
489.40.071	7.5	13.4	15.0	100
489.40.101	10	18.6	15.0	100
489.40.121	12	20.8	15.0	100
489.40.171	17	24.0	15.0	100
489.40.231	23	35.8	15.0	100
489.40.291	29	40.5	15.0	100
489.40.371	37	53.2	15.0	100
489.40.501	50	60.0	15.0	100

All dimensions without tolerances are for reference only.

Corrugated Plastic Conduit Accessories

T- / Y-piece



Polyamide 6 connectors to connect three corrugated plastic conduits, zero halogen and non-flame propagating, available in black. Suited for FFMVD-PA6, FFMVD-L, FFHY, FFTYL-BS, FFTYL-V and FFPYL-MOD-BS corrugated plastic conduits. Designs: T-shape/Y-shape.

Characteristics:

Resistant to: fuels, mineral oils, greases, alkaline substances and most common solvents

Limitedly resistant to: bases, also diluted solutions of bases

Not resistant to: acids, halogens and oxidative compounds

Technical specifications:

- material: polyamide 6 (PA6)
- temperature resistance range: -40°C to +120°C, short-term temperature resistance up to +150°C
- colour: black
- zero halogen
- non-flame propagating
- flammability: UL 94 HB - V2 / FMVSS 302 self-extinguishing

Cat. no. T-/Y-piece	Name	Type	Packaging in pcs.
black			
492.15.070	T-Snap-Lock	7.5-7.5-7.5	100
492.17.100	T-Snap-Lock	10.0-7.5-7.5	100
492.16.101	T-Snap-Lock	10.0-7.5-10.0	100
492.16.103	T-Snap-Lock	10.0-10.0-7.5	100
492.15.100	T-Snap-Lock	10.0-10.0-10.0	100
492.16.170	T-Snap-Lock	17.0-7.5-17.0	100
492.16.172	T-Snap-Lock	17.0-10.0-17.0	100
492.16.173	T-Snap-Lock	17.0-17.0-7.5	100
492.15.170	T-Snap-Lock	17.0-17.0-17.0	100
492.65.070	Y-Snap-Lock	7.5-7.5-7.5	100
492.65.100	Y-Snap-Lock	10.0-10.0-10.0	100

Resealable Corrugated Conduits



VDE 0605
DIN EN 61386-23
Classification: 134340

Co-flex PP-UV

Co-flex PP-UV is a resealable, slit corrugated conduit made of modified polypropylene, available in black. Light compressive strength, high temperature resistance, non-flame propagating, UV-stabilised and zero halogen. Intended for installation outdoors. Its main fields of application are solar collectors, SAT units and other various installations outdoors. Provides protection against damage from marten and rodent bites. UV-resistant for up to 10 years. To begin the installation open the conduit, then insert the cable in the conduit. Close slit by slipping over the outside conduit.

Characteristics:

Resistant to: acids, bases, inorganic salts, fuels, mineral oils, greases and most common solvents

Limitedly resistant to: ether

Not resistant to: halogen-containing, oxidising and aromatic compounds

Technical specifications:

- material: modified PP
- temperature resistance range: -25°C to +105°C
- temperature resistance range: -40°C to +105°C, short-term temperature resistance up to +130°C
- compressive strength: light
- high temperature resistant
- zero halogen
- non-flame propagating
- flammability: UL 94 HB / FMVSS 302

Cat. no. Co-flex PP-UV 50m	Type	Outside Ø mm	Inside Ø mm	Bend radius* ≥ mm	Packaging m
black					
384.010.00	10	13.6	8.7	70	50
384.014.00	14	18.5	12.2	95	50
384.020.00	20	25.5	19.5	130	50
384.023.00	23	31.0	24.2	155	50
384.037.00	37	41.4	31.0	205	25
384.045.00	45	54.0	42.7	190	25
384.070.00	70	79.8	66.5	375	10

Cat. no. Co-flex PP-UV 10m	Type	Outside Ø mm	Inside Ø mm	Bend radius* ≥ mm	Packaging m
black					
384.010.02	10	13.6	8.7	70	10
384.014.02	14	18.5	12.2	95	10
384.020.02	20	25.5	19.5	130	10
384.023.02	23	31.0	24.2	155	10
384.037.02	37	41.4	31.0	205	10
384.045.02	45	54.0	42.7	190	10

*Min. bend radius (neutral fibre) with a flattening of the conduit outside diameter of ≤ 5%.



Please refer to pages 40 and 41 for **COV** or **COFIX** threaded connectors and accessories

All dimensions without tolerances are for reference only.

Resealable Corrugated Conduits

Co-flex PP-black



VDE 0605
DIN EN 61386-23
Classification: 134340

Co-flex PP is a resealable, slit corrugated conduit made of polypropylene, available in black. Light compressive strength, high temperature resistant and non-flame propagating. Used as mechanical protection for computers and TV racks, in control panel engineering, in automobile installation and in the electrical appliance industry. Provides protection against damage from marten and rodent bites. To begin the installation open the conduit, then insert the cable in the conduit. Close the slit by slipping over the outside conduit.

Characteristics:

Resistant to: acids, bases, inorganic salts, fuels, mineral oils, greases and most common solvents

Limitedly resistant to: ether

Not resistant to: halogenated, oxidising and aromatic compounds

Technical specifications:

- material: PP-MOD-BS
- temperature resistance range: -25°C to +105°C
- temperature resistance range: -40°C to +135°C, short-term temperature resistance up to +150°C
- compressive strength: light
- high temperature resistant
- non-flame propagating
- flammability: UL94 V2 / FMVSS 302

Cat. no. Co-flex PP 50m black	Type	Outside Ø mm	Inside Ø mm	Bend radius* ≥ mm	Packaging m
370.010.00	10	13.4	8.4	70	50
370.014.00	14	18.5	12.5	95	50
370.020.00	20	25.3	19.2	130	50
370.023.00	23	30.8	23.4	155	50
370.037.00	37	41.4	31.0	205	25
370.045.00	45	54.0	42.7	190	25
370.070.00	70	79.8	66.5	375	10

Cat. no. Co-flex PP 10m black	Type	Outside Ø mm	Inside Ø mm	Bend radius* ≥ mm	Packaging m
370.010.02	10	13.4	8.4	70	10
370.014.02	14	18.5	12.5	95	10
370.020.02	20	25.3	19.2	130	10
370.023.02	23	30.8	23.4	155	10
370.037.02	37	41.4	31.0	205	10
370.045.02	45	54.0	42.7	190	10

Cat. no. Co-flex PP 5m black	Type	Outside Ø mm	Inside Ø mm	Bend radius* ≥ mm	Packaging m
370.010.03	10	13.4	8.4	70	5
370.014.03	14	18.5	12.5	95	5
370.020.03	20	25.3	19.2	130	5
370.023.03	23	30.8	23.4	155	5
370.037.03	37	41.4	31.0	205	5
370.045.03	45	54.0	42.7	190	5

*Min. bend radius (neutral fibre) with a flattening of the conduit outside diameter of ≤ 5%.



Please refer to pages 40 and 41 for **COV** or **COFIX** threaded connectors and accessories

Resealable Corrugated Conduits

Co-flex PP white



VDE 0605
DIN EN 61386-23
Classification: 134340

Co-flex PP white is a resealable, slit corrugated conduit made of polypropylene, available in white. Light compressive strength, high temperature resistant and non-flame propagating. Used as mechanical protection for audio/HIFI systems, office wiring, in shipbuilding, for medical instruments, such as X-ray units and tomographs, hospital beds and the furniture industry. Provides protection against damage from marten and rodent bites.

To begin the installation open the conduit, then insert the cable in the conduit. Close the slit by slipping over the outside conduit.

Characteristics:

Resistant to: acids, bases, inorganic salts, fuels, mineral oils, greases and most common solvents

Limitedly resistant to: ether

Not resistant to: halogenated, oxidising and aromatic compounds

Technical specifications:

- material: PP-MOD-BS
- temperature resistance range: -25°C to +105°C
- temperature resistance range: -40°C to +135°C, short-term temperature resistance up to +150°C
- compressive strength: light
- high temperature resistant
- non-flame propagating
- flammability: UL94 V2 / FMVSS 302

Cat. no. Co-flex PP white	Type	Outside Ø mm	Inside Ø mm	Bend radius* ≥ mm	Packaging m
384.020.10	20	25.3	19.2	130	50

*Min. bend radius (neutral fibre) with a flattening of the conduit outside diameter of ≤ 5%.



Please refer to pages 40 and 41 for **COV** or **COFIX** threaded connectors and accessories

Resealable Corrugated Conduits

Co-flex PA6



VDE 0605
DIN EN 61386-23
Classification: 124540

Co-flex PA6 is a resealable, slit corrugated conduit made of polyamide 6, available in black. Light compressive strength, high temperature resistance, cold impact strength in extreme temperatures and non-flame propagating. Used as mechanical protection for computers and TV racks, in control panel engineering, in automotive engineering and in the electrical appliance industry. Provides protection against damage from marten and rodent bites. To begin the installation open the conduit, then insert the cable in the conduit. Close the slit by slipping over the outside conduit.

Characteristics:

Resistant to: fuels, mineral oils, greases, alkaline substances and most common solvents

Limitedly resistant to: bases, also diluted solutions of bases

Not resistant to: acids, halogens and oxidative compounds

Technical specifications:

- material: polyamide 6 (PA6)
- temperature resistance range: -45°C to $+120^{\circ}\text{C}$
- temperature resistance range: -40°C to $+120^{\circ}\text{C}$, short-term temperature resistance up to $+150^{\circ}\text{C}$
- compressive strength: light
- high temperature resistant
- cold impact strength in extreme temperatures
- zero halogen
- non-flame propagating
- flammability: UL94 V2/ FMVSS 302

Cat. no. Co-flex PA6 black	Type	Outside Ø mm	Inside Ø mm	Bend radius* ≥ mm	Packaging m
410.010.00	10	13.5	8.8	55	50
410.014.00	14	18.7	13.2	75	50
410.020.00	20	25.7	20.2	105	50
410.023.00	23	31.3	23.9	125	50
410.037.00	37	43.2	32.5	170	25
410.045.00	45	54.2	43.1	170	25
410.070.00	70	79.8	66.0	300	10

*Min. bend radius (neutral fibre) with a flattening of the conduit outside diameter of $\leq 5\%$.



Please refer to pages 40 and 41 for **COV** or **COFIX** threaded connectors and accessories

Resealable Corrugated Conduit Accessories

COS



Fixing clip with integrated polyamide 6 ledge, available in black, zero halogen and non-flame propagating.
Fixing clip to axially fixed Co-flex corrugated conduits.

Characteristics:

Resistant to: fuels, mineral oils, greases, alkaline substances and most common solvents

Limitedly resistant to: bases, also diluted solutions of bases

Not resistant to: acids, halogens and oxidative compounds

Technical specifications:

- material: polyamide 6 (PA6)
- temperature resistance range: -40°C to +120°C, short-term temperature resistance up to +140°C
- zero halogen
- non-flame propagating
- flammability: self-extinguishing

Cat. no. COS	Type	Conduit capacity mm	Total length mm	Total width mm	Total height mm	Mounting hole mm	Packaging in pcs.
black							
491.20.100	10	13.0	18.6	20.0	23.0	5.5	100
491.20.140	14	17.8	24.0	20.0	26.1	5.5	100
491.20.200	20	26.0	35.0	20.0	39.6	7.1	50
491.20.230	23	32.0	42.5	20.5	44.5	6.4	50
491.20.370	37	42.7	52.0	20.5	52.5	7.0	20
491.20.450	45	53.6	66.2	20.5	66.3	6.9	20

COV



Dividable threaded connector and two-piece locknut with Pg thread made of polyamide 6, available in black, protection class IP43, zero halogen and non-flame propagating.
Can be used for all Co-flex corrugated conduits.

Characteristics:

Resistant to: fuels, mineral oils, greases, alkaline substances and most common solvents

Limitedly resistant to: bases, also diluted solutions of bases

Not resistant to: acids, halogens and oxidative compounds

Technical specifications:

- material: polyamide 6 (PA6)
- temperature resistance range: -40°C to +120°C, short-term temperature resistance up to +150°C
- zero halogen
- non-flame propagating
- flammability: UL94 HB

Cat. no. COV	Thread Pg.	Type	Inside Ø mm	Total length mm	Thread length mm	Nut width mm	Packaging in pcs.
black							
491.10.100	9	10	9	27	12	11	100
491.10.140	13.5	14	13	34	17	14	100
491.10.200	21	20	20	34	17	14	50
491.10.230	29	23	31	42	21	17	50
491.10.370	29	37	31	50	22	17	25

DIN EN 60529
Protection class IP43

All dimensions without tolerances are for reference only.

Resealable Corrugated Conduit Accessories

COFIX



DIN EN 60529
Protection class IP43

Dividable threaded connector and two-piece locknut with metric thread made of polyamide 6, available in black, protection class IP43, zero halogen and non-flame propagating. Can be used for all Co-flex corrugated conduits.

Characteristics:

Resistant to: fuels, mineral oils, greases, alkaline substances and most common solvents

Limitedly resistant to: bases, also diluted solutions of bases

Not resistant to: acids, halogens and oxidative compounds

Technical specifications:

- material: polyamide 6 (PA6)
- temperature resistance range: -40°C to +120°C, short-term temperature resistance up to +150°C
- zero halogen
- non-flame propagating
- flammability: UL94 HB

Cat. no. COFIX threaded connector black	Type	Thread m. x 1.5	Total length mm	Ss mm	Packaging in pcs.
491.10.102	10	16	34.0	19	100
491.10.142	14	20	41.0	27	100
491.10.202	20	25	43.0	30	50
491.10.232	23	32	50.5	36	50
491.10.372	37	40	59.0	46	25
491.10.452	45	50	67.5	55	25

Cat. no. COFIX locknut black	Type	Thread m. x 1.5	Total length mm	Ss mm	Packaging in pcs.
491.12.101	10	16	8	19	100
491.12.141	14	20	8	27	100
491.12.201	20	25	9	30	50
491.12.231	23	32	12	36	50
491.12.371	37	40	15	46	25
491.12.451	45	50	15	55	25

Insertion tool



Insertion tool made of polyamide 6, available in black. To insert cables in Co-flex corrugated conduits and slit conduits. Design type 7.5 – type 34.

Characteristics:

Resistant to: fuels, mineral oils, greases, alkaline substances and most common solvents

Limitedly resistant to: bases, also diluted solutions of bases

Not resistant to: acids, halogens and oxidative compounds

Technical specifications:

- material: polyamide 6 (PA6)
- colour: black

Cat. no. insertion tool black	For conduits Ø mm	Packaging in pcs.
490.90.003	7.5–34	100

Metal Cable Ducts

... for increased safety and reliability

Reliable protection for wires and cables primarily in the following fields:

- heavy machinery
- system installations



Flexible, strip-wound metal cable ducts with hooked profiles that feature high temperature resistance, heavy compressive strength and cold impact strength in extreme temperatures. There is no reduction in cross-section

owing to their flexibility. Due to abrasion protection, tensile strength and corrosion resistance, they lastingly prevent damage to cables. They protect and increase their durability by reducing wear to a minimum.



Metal Cable Ducts

FFMSS



DIN EN 60529
Protection class IP40
VDE 0605
DIN EN 61386-23
Classification: 435741

Flexible, strip-wound metal cable duct with hooked profile, without seal, made of galvanized steel and non-flame propagating. Heavy compressive strength, high temperature resistance and cold impact strength in extreme temperatures. No reduction in cross-section due to its flexibility. For heavy machinery and system installations.

Characteristics:

Compressibility, tensile strength and corrosion resistance

Technical specifications:

- material: galvanized steel strip
- temperature resistance range: -45°C to +400°C
- compressive strength: heavy
- high temperature resistant
- cold impact strength in extreme temperatures
- non-flame propagating

Cat. no. FFMSS	Type	Outside Ø mm	Inside Ø mm	Bend radius* ≥ mm	Packaging m**
10m					
280.00.007	7	9.5	7.0	14	10
280.00.010	10	13.0	10.0	19	10
280.00.013	13	16.0	13.0	24	10
280.00.015	15	18.5	15.5	28	10
280.00.020	20	24.0	20.0	34	10
280.00.025	25	28.5	25.0	40	10
280.00.028	28	31.5	28.0	45	10
280.00.037	37	41.5	37.0	95	10
280.00.045	45	49.5	45.0	115	10
280.00.052	52	56.5	52.0	145	10

Cat. no. FFMSS	Type	Outside Ø mm	Inside Ø mm	Bend radius* ≥ mm	Packaging m**
50m					
280.01.007	7	9.5	7.0	14	50
280.01.010	10	13.0	10.0	19	50
280.01.013	13	16.0	13.0	24	50
280.01.015	15	18.5	15.5	28	50
280.01.020	20	24.0	20.0	34	50
280.01.025	25	28.5	25.0	40	50
280.01.028	28	31.5	28.0	45	25
280.01.037	37	41.5	37.0	95	25
280.01.045	45	49.5	45.0	115	25
280.01.052	52	56.5	52.0	145	25

*Referring to the inside diameter of the conduit elbow

**Uncoiled length



Please refer to page 49 for **FMV threaded metal connectors**



FFMSS-K-FD

Flexible strip-wound metal cable duct with hooked profile, without seal, made of galvanised steel with high-quality PVC sheathing, non-flame propagating and UV-resistant. Heavy compressive strength and cold impact strength in extreme temperatures. For heavy machinery and system installations.

Characteristics:

Resistant to UV radiation and ozone, air and waterproof, good resistance against oil, bases and acids, compressibility, tensile strength and corrosion resistance.

Technical specifications:

- material: galvanised steel strip/PVC-P
- temperature resistance range: -25°C to +60°C
- compressive strength: heavy
- cold impact strength in extreme temperatures
- non-flame propagating
- UV-resistant

DIN EN 60529
Protection class IP68
VDE 0605
DIN EN 61386-23
Classification: 434143

Cat. no. FFMSS-K-FD grey	Type	Outside Ø mm	Inside Ø mm	Bend radius* ≥ mm	Packaging m
280.10.008	8	13.0	8.5	40	10
280.10.010	10	15.0	10.0	50	10
280.10.012	12	17.0	12.0	60	10
280.10.015	15	21.0	15.5	70	10
280.10.020	20	27.0	20.0	90	10
280.10.025	25	34.0	26.5	120	10
280.10.035	35	43.0	35.0	150	10
280.10.040	40	48.0	40.0	200	10
280.10.051	51	58.5	50.5	250	10

*Referring to the inside diameter of the conduit elbow



Please refer to pages 49–51 for **FMV-FD threaded metal connectors and other threaded connectors**

Metal Cable Ducts



DIN EN 60529
Protection class IP68
VDE 0605
DIN EN 61386-23
Classification: 434143

FFMSS-K

Flexible strip-wound metal cable duct with hooked profile, without seal, made of galvanised steel with high-quality PVC sheathing, non-flame propagating and UV-resistant. Heavy compressive strength and cold impact strength in extreme temperatures. No reduction in cross-section due to its flexibility. For heavy machinery and system installations.

Characteristics:

Resistant to UV radiation and ozone, air and waterproof, good resistance against oil, bases and acids, compressibility, tensile strength and corrosion resistance.

Technical specifications:

- material: galvanised steel strip/ PVC-P
- temperature resistance range: -25°C to +60°C
- compressive strength: heavy
- cold impact strength in extreme temperatures
- non-flame propagating
- UV-resistant

Cat. no. FFMSS-K 10m grey	Type	Outside Ø mm	Inside Ø mm	Bend radius* ≥ mm	Packaging m
280.20.007	7	10.0	7.0	25	10
280.20.010	10	13.5	10.0	40	10
280.20.013	13	16.5	13.0	50	10
280.20.015	15	19.0	15.5	60	10
280.20.020	20	25.0	20.0	70	10
280.20.025	25	30.0	25.0	100	10
280.20.028	28	32.5	28.0	120	10
280.20.037	37	42.5	37.0	150	10
280.20.045	45	51.0	45.0	180	10
280.20.052	52	58.0	52.0	230	10

Cat. no. FFMSS-K 50m grey	Type	Outside Ø mm	Inside Ø mm	Bend radius* ≥ mm	Packaging m
280.21.007	7	10.0	7.0	25	50
280.21.010	10	13.5	10.0	40	50
280.21.013	13	16.5	13.0	50	50
280.21.015	15	19.0	15.5	60	50
280.21.020	20	25.0	20.0	70	50
280.21.025	25	30.0	25.0	100	50
280.21.028	28	32.5	28.0	120	25
280.21.037	37	42.5	37.0	150	25
280.21.045	45	51.0	45.0	180	25
280.21.052	52	58.0	52.0	230	25

*Referring to the inside diameter of the conduit elbow



Please refer to page 49 for **FMV threaded metal connectors**

Metal Cable Ducts

NEW



DIN EN 60529
Protection class IP40
VDE 0605
DIN EN 61386-23
Classification: 435741

FFMSS-G

Flexible strip-wound metal cable duct with hooked profile, without seal, made of galvanised steel with metal braiding and non-flame propagating. Heavy compressive strength, high temperature resistance and cold impact strength in extreme temperatures. No cross-sectional narrowing occurs because of the flexibility. For heavy machinery and system installations.

Characteristics:

Compressibility, tensile strength and corrosion resistance

Technical specifications:

- material: galvanised steel strip / metal braiding
- temperature resistance range: -45°C to +250°C
- compressive strength: heavy
- high temperature resistant
- cold impact strength in extreme temperatures
- non-flame propagating

Cat. no. FFMSS-G	Type	Outside Ø mm	Inside Ø mm	Bend radius* ≥ mm	Packaging m
10m					
280.30.008	8	13.0	8.5	30	10
280.30.010	10	14.0	10.0	40	10
280.30.012	12	16.0	12.0	50	10
280.30.015	15	20.0	15.5	60	10
280.30.020	20	26.0	20.5	65	10
280.30.025	25	31.0	25.0	70	10
280.30.035	35	42.0	35.0	150	5
280.30.040	40	47.0	40.0	170	5
280.30.051	51	57.0	50.5	200	5

Cat. no. FFMSS-G	Type	Outside Ø mm	Inside Ø mm	Bend radius* ≥ mm	Packaging m
50m					
280.31.008	8	13.0	8.5	30	50
280.31.010	10	14.0	10.0	40	50
280.31.012	12	16.0	12.0	50	50
280.31.015	15	20.0	15.5	60	50
280.31.020	20	26.0	20.5	65	50
280.31.025	25	31.0	25.0	70	50
280.31.035	35	42.0	35.0	150	25
280.31.040	40	47.0	40.0	170	25
280.31.051	51	57.0	50.5	200	25

*Referring to the inside diameter of the conduit elbow



Please refer to pages 49–51 for **FMV-FD threaded metal connectors and other threaded connectors**

All dimensions without tolerances are for reference only.

Metal Cable Ducts

NEW



DIN EN 60529
 Protection class IP40
 VDE 0605
 DIN EN 61386-23
 Classification: 435741

FFMSS-VA

Flexible strip-wound metal cable duct with hooked profile, without seal, made of stainless steel and non-flame propagating. Heavy compressive strength, high temperature resistance and cold impact strength in extreme temperatures. No cross-sectional narrowing occurs because of the flexibility. For heavy machinery and system installations.

Characteristics:

Compressibility, tensile strength and corrosion resistance

Technical specifications:

- material: stainless steel V2A / AISI 304
- temperature resistance range: -45°C to +400°C
- compressive strength: heavy
- high temperature resistant
- cold impact strength in extreme temperatures
- non-flame propagating

Cat. no. FFMSS-VA stainless steel 10m	Type	Outside Ø mm	Inside Ø mm	Bend radius* ≥ mm	Packaging m**
280.05.010	10	13.0	10.0	35	10
280.05.013	13	16.0	13.0	43	10
280.05.015	15	19.1	15.5	58	10
280.05.020	20	24.1	20.5	75	10
280.05.025	25	28.6	25.0	90	5

Cat. no. FFMSS-VA stainless steel 50m	Type	Outside Ø mm	Inside Ø mm	Bend radius* ≥ mm	Packaging m**
280.06.010	10	13.0	10.0	35	50
280.06.013	13	16.0	13.0	43	50
280.06.015	15	19.1	15.5	58	50
280.06.020	20	24.1	20.5	75	50
280.06.025	25	28.6	25.0	90	25

*Referring to the inside diameter of the conduit elbow

**Uncoiled length



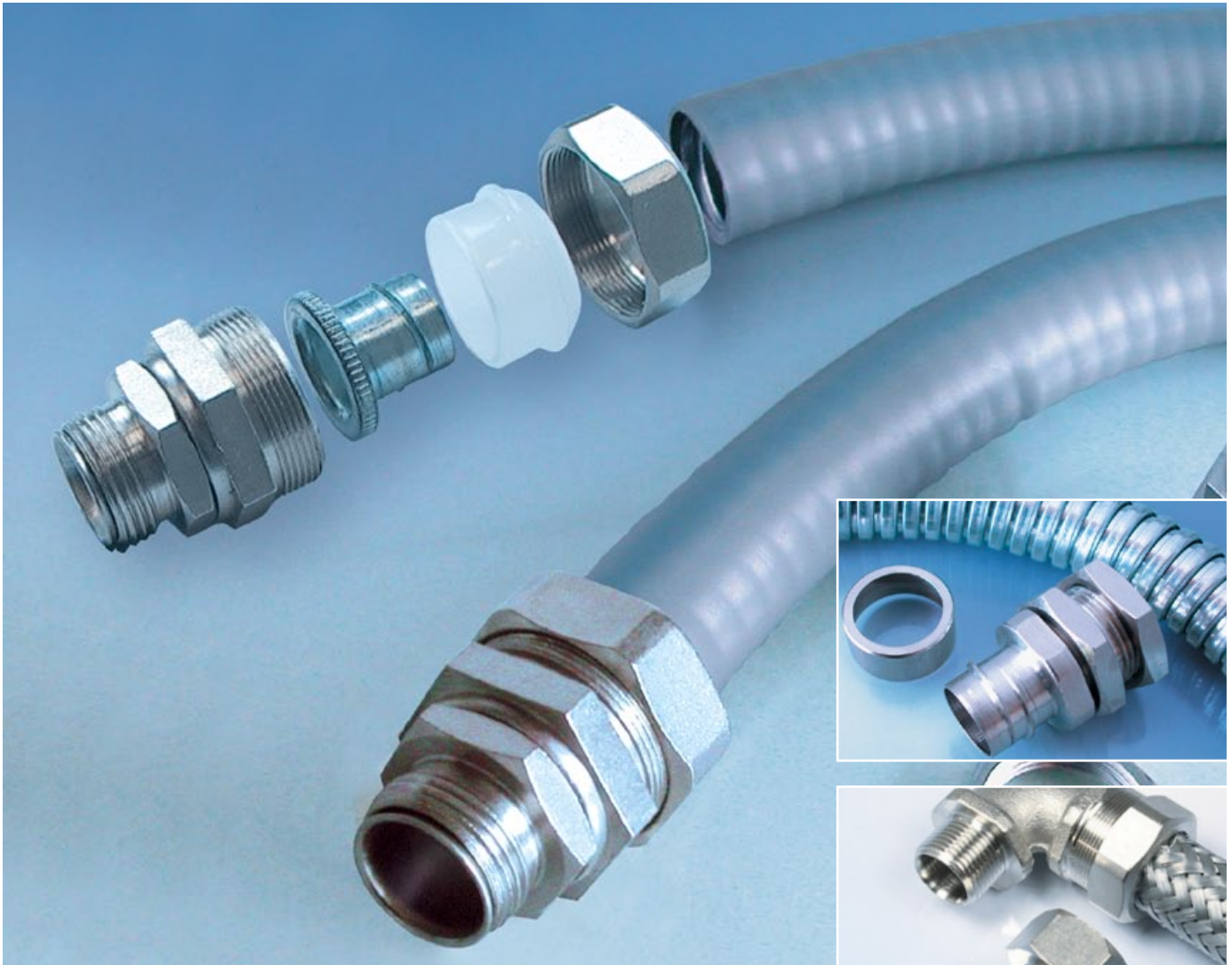
Please refer to page 49 for **FMV threaded metal connectors**

Metal Cable Duct Accessories

... we offer the right connection

Perfect installation due to a broad range of accessories:

- perfect fit for all metal cable ducts
- quick and easy installation
- high level of reliability



FRÄNKISCHE offers a broad and practical range of accessories for a professional installation of metal cable ducts. Perfect fit and easy handling allow quick and easy installation, because metal cable ducts and accessories form a perfect union and achieve highest levels of reliability.

All metal and angled threaded connectors, including end caps, are corrosion-resistant, non-flame propagating and temperature resistant which makes them ideal accessories for metal cable ducts.



Metal Cable Duct Accessories

FMV



DIN EN 60529
Protection class IP40

Threaded metal connector made of nickel-plated brass for FFMSS, FFMSS-VA and FFMSS-K, protection class IP40 and non-flame propagating. Rotatable connector with metric male thread and inside end cap.

Technical specifications:

- material: nickel-plated brass
- temperature resistance range: -45°C to +400°C
- non-flame propagating

Characteristics:

Tensile strength, vibration resistance, corrosion-resistant

Cat. no. FMV	Thread m. x 1.5	Type	Inside Ø mm	Total length mm	Thread length mm	Ss 1 mm	Ss 2 mm	Packaging in pcs.
280.50.007	12	7	5.0	30	8	15	14	20
280.50.010	16	10	8.5	30	8	19	17	20
280.50.013	16	13	10.0	30	8	19	17	20
280.50.015	20	15	14.0	30	10	24	22	10
280.50.020	25	20	18.5	36	12	30	28	10
280.50.025	32	25	23.0	36	12	35	32	10
280.50.028	32	28	23.0	36	12	36	32	10
280.50.037	40	37	31.0	36	14	45	45	5
280.50.045	50	45	42.0	63	14	55	55	1
280.50.052	63	52	48.5	72	15	64	65	1



Please refer to page 56 for **FGMM metal locknuts**

FMV-FD



DIN EN 60529
Protection class IP67

Threaded metal connector made of nickel-plated brass for FFMSS-K-FD and FFMSS-G, protection class IP67 and non-flame propagating. Rotatable connector with metric male thread and inside end cap. Liquid-tight due to polyamide 6 sealing ring.

Technical specifications:

- material: nickel-plated brass
- temperature resistance range: -40°C to +120°C
- non-flame propagating

Characteristics:

Tensile strength, vibration resistance, corrosion-resistant and liquid-tight

Cat. no. FMV-FD	Thread m. x 1.5	Conduit dimensions NW	Inside Ø mm	Total length mm	Thread length mm	Ss 1 mm	Ss 2 mm	Ss 3 mm	Packaging in pcs.
280.60.008	12	8	7.0	37	9	15	20	22	20
280.60.010	12	10	7.0	37	9	15	22	24	20
280.60.012	16	12	10.0	37	9	19	24	26	20
280.60.015	20	15	14.0	37	9	24	28	30	10
280.60.020	25	20	18.5	42	10	30	35	38	10
280.60.025	32	25	23.0	49	13	38	40	42	10
280.60.035	40	35	32.5	55	18	45	50	53	5
280.60.040	50	40	37.5	60	20	52	58	61	5
280.60.051	63	51	48.0	74	24	64	70	74	2



Please refer to page 56 for **FGMM metal locknuts**

Metal Cable Duct Accessories

NEW



DIN EN 60529
Protection class IP67

FMV-W

Threaded 90° metal connector made of nickel-plated brass for FFMSS-K-FD and FFMSS-G, protection class IP67 and non-flame propagating. With metric male thread and inside end cap. Liquid-tight used to polyamide 6 sealing.

Characteristics:

Corrosion-resistant and liquid-tight

Technical specifications:

- material: nickel-plated brass
- temperature resistance range: -40°C to +120°C
- non-flame propagating

Cat. no. FMV-W	Thread m. x 1.5	Type	Outside Ø mm	Inside Ø mm	Total length mm	Thread length mm	Ss 1 mm	Ss 2 mm	Ss 3 mm	Packaging in pcs.
280.75.008	12	8	13	8.5	44	11	22	22	22	20
280.75.010	12	10	15	10.0	44	11	22	24	22	20
280.75.012	16	12	17	12.0	46	12	26	26	26	10
280.75.015	20	15	21	15.5	50	12	28	30	28	10
280.75.020	25	20	27	20.0	62	13	35	38	35	5
280.75.025	32	25	34	26.5	73	16	42	42	42	2



Please refer to page 56 for **FGMM metal locknuts**

NEW



DIN EN 60529
Protection class IP67

FMV-I

Threaded metal connector made of nickel-plated brass for FFMSS-K-FD and FFMSS-G, protection class IP67 and non-flame propagating. With metric female thread. Liquid-tight used to polyamide 6 sealing.

Characteristics:

Corrosion-resistant and liquid-tight

Technical specifications:

- material: nickel-plated brass
- temperature resistance range: -40°C to +120°C
- non-flame propagating

Cat. no. FMV-I	Thread m. x 1.5	Type	Outside Ø mm	Inside Ø mm	Thread length mm	Ss 1 mm	Ss 2 mm	Packaging in pcs.
280.80.010	16	10	15.0	10.0	9	22	24	20
280.80.012	16	12	17.0	12.0	9	24	26	20
280.80.015	20	15	21.0	15.5	10	28	30	20
280.80.020	25	20	27.0	20.0	12	36	38	10
280.80.025	32	25	34.0	26.5	12	40	42	10
280.80.035	40	35	43.0	35.0	12	50	53	5
280.80.040	50	40	48.0	40.0	13	58	61	5
280.80.051	63	51	58.5	50.5	20	70	74	2

All dimensions without tolerances are for reference only.

Metal Cable Duct Accessories

NEW



FME

Metal end cap for all metal cable conduits, non-flame propagating.

Characteristics:

Corrosion resistance

Technical specifications:

- material: nickel-plated brass
- temperature resistance range: -45°C to +400°C
- non-flame propagating

Cat. no. FME	Type	Inside Ø mm	Packaging in pcs.
280.90.008	8	8.5	1
280.90.010	10	10.0	1
280.90.012	12	12.0	1
280.90.013	13	13.0	1
280.90.015	15	15.5	1
280.90.020	20	20.5	1
280.90.025	25	25.0	1
280.90.027	27	26.5	1
280.90.035	35	35.0	1
280.90.040	40	40.0	1

Plastic Spiral Conduits



DIN EN 60529
Protection class IP68
VDE 0605
DIN EN 61386-23
Classification: 424140

FFKSS-SW

Flexible cable protection conduit, PVC-P sheathing, plastic-coated spring made of spring steel wire, non-flame propagating and UV-resistant. Heavy compressive strength and cold impact strength in extreme temperatures.

Fields of application of the cable duct are control panel engineering, control cabinets, engineering and robotics.

Characteristics:

Resistant to UV radiation and ozone, air and waterproof, good resistance against oil, bases and acids, can be rotated axially and compressed.

Technical specifications:

- material: PVC-P / spring steel wire
- temperature resistance range: -25°C to +60°C
- compressive strength: heavy
- cold impact strength in extreme temperatures
- non-flame propagating
- UV-resistant

Cat. no. FFKSS-SW 10m grey	Type	Outside Ø mm	Inside Ø mm	Bend radius* ≥ mm	Packaging m
281.20.007	7	10	7.0	10	10
281.20.009	9	14	10	14	10
281.20.011	11	17	13	17	10
281.20.016	16	21	16	21	10
281.20.021	21	27	21	27	10
281.20.029	29	36	30	36	10
281.20.036	36	45	38	45	10
281.20.048	48	56	48	56	10

Cat. no. FFKSS-SW 50m grey	Type	Outside Ø mm	Inside Ø mm	Bend radius* ≥ mm	Packaging m
281.21.007	7	10	7.0	10	50
281.21.009	9	14	10	14	50
281.21.011	11	17	13	17	50
281.21.016	16	21	16	21	50
281.21.021	21	27	21	27	50
281.21.029	29	36	30	36	25
281.21.036	36	45	38	45	25
281.21.048	48	56	48	56	25

*Referring to the inside diameter of the conduit bending radius



Please refer to page 54 for **FKV-SW threaded conduit connectors**

All dimensions without tolerances are for reference only.

Plastic Spiral Conduits



DIN EN 60529
 Protection class IP68
 VDE 0605
 DIN EN 61386-23
 Classification: 134142

FFKSS-KW

PVC-P spiral conduit with integrated PVC-U hard plastic coil, non-flame propagating and UV-resistant. Light compressive strength and cold impact strength in extreme temperatures.

Application for liquid-tight and insulating installations.

Characteristics:

Resistant to UV radiation and ozone, air and waterproof, good resistance against oil, bases and acids, tensile strength and corrosion resistance.

Technical specifications:

- material: PVC-P / hard plastic coil
- temperature resistance range: -25°C to +60°C
- compressive strength: light
- cold impact strength in extreme temperatures
- non-flame propagating
- UV-resistant

Cat. no. FFKSS-KW grey	Type	Outside Ø mm	Inside Ø mm	Bend radius* ≥ mm	Packaging m
281.10.008	8	12.0	8.0	18	10
281.10.010	10	14.7	10.0	20	10
281.10.012	12	16.4	12.0	26	10
281.10.015	15	20.7	15.5	30	10
281.10.020	20	24.7	20.0	38	10
281.10.025	25	30.6	25.0	45	10
281.10.032	32	38.0	32.0	52	10
281.10.040	40	46.4	40.0	72	10
281.10.050	50	57.5	50.0	110	10

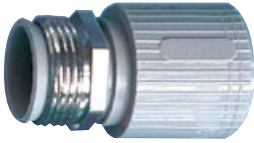
*Referring to the inside diameter of the conduit bending radius



Please refer to page 54 for **FKV-KW threaded conduit connectors**

Plastic Spiral Conduit Accessories

FKV-SW



DIN EN 60529
Protection class IP54

Threaded polyethylene conduit connector with rotatable male thread made of nickel-plated brass, protection class IP54 and non-flame propagating. Suited for FFKSS-SW cable ducts.

Characteristics:

The integrated inside end cap effectively protects the cables at the conduit ends.

FFKSS-SW + FKV-SW = tensile strength and vibration resistance

Technical specifications:

- material: polyethylene (PE)
- temperature resistance range: -40°C to +110°C
- colour: grey
- non-flame propagating

Cat. no. FKV-SW	Thread m. x 1.5	Type	Outside Ø mm	Inside Ø mm	Total length mm	Thread length mm	Ss mm	Packaging in pcs.
grey								
281.60.009	16	9	21.1	8.3	34.0	6.0	19	50
281.60.011	20	11	26.7	10.4	35.3	6.0	24	50
281.60.016	25	16	33.5	13.5	41.0	7.5	30	25
281.60.021	32	21	40.0	18.8	45.2	8.0	36	25
281.60.029	40	29	51.3	26.5	47.5	8.0	46	25
281.60.036	50	36	61.3	35.1	50.2	9.5	55	25
281.60.048	63	48	76.8	45.4	64.5	11.5	68	10



Please refer to page 56 for **FGMM metal locknuts**

FKV-KW



DIN EN 60529
Protection class IP67

Threaded polyvinylchloride connector for FFKSS-KW with integrated inside end cap and rotatable thread, including locknut, protection class IP67 and non-flame propagating.

Characteristics:

Tensile strength, vibration resistance, corrosion-resistant and liquid-tight

Technical specifications:

- material: polyvinylchloride (PVC)
- temperature resistance range: -20°C to +80°C
- colour: grey
- non-flame propagating

Cat. no. FKV-KW	Thread m. x 1.5	Type	Outside Ø mm	Inside Ø mm	Total length mm	Thread length mm	Ss 1 mm	Ss 2 mm	Packaging in pcs.
grey									
281.50.010	12	10	25.0	8	47	10.0	22	22	20
281.50.012	16	12	27.0	10	48	10.0	24	24	20
281.50.015	20	15	32.5	13	55	12.5	29	27	20
281.50.020	25	20	37.5	18	57	12.5	33	33	10
281.50.025	32	25	48.5	23	67	16	40	43	10
281.50.032	40	32	57.0	30	71	16.5	48	50	10
281.50.040	50	40	63.5	38	77	17.5	58	60	5
281.50.050	63	50	76.5	48	80	18.0	70	70	2

All dimensions without tolerances are for reference only.

Cable Protection Accessories

FKH-M



Polypropylene conduit holder with metric thread for connections with metric threads and a thread pitch of 1.5mm, available in grey, non-flame propagating. To connect metric threaded connectors to components.

Technical specifications:

- material: PP
- temperature resistance range: -40°C to +100°C
- colour: grey
- non-flame propagating

Cat. no. FKH-M	Thread m. x 1.5	Type	Total length mm	Total width mm	Total height mm	Hole spacing mm	Screw holes Ø mm	Packaging in pcs.
grey								
289.70.020	20	20	50.0	14.0	27.0	37.0	5.7	50
289.70.025	25	25	57.0	14.0	32.0	43.0	5.7	50
289.70.032	32	32	67.0	16.5	41.0	53.0	6.7	50
289.70.040	40	40	80.0	16.5	52.0	65.0	6.7	25
289.70.050	50	50	86.0	18.5	59.0	69.0	6.7	25

FRMM / FEMM

Metal reduction/expansion made of nickel-plated brass, with metric female and male thread, non-flame propagating and nickel-plated brass.

Technical specifications:

- material: nickel-plated brass
- temperature resistance range: -45°C to +400°C
- non-flame propagating

Characteristics:

Corrosion resistance

NEW



FRMM

Cat. no. FRMM	Thread m. x 1.5		Thread length Outside mm	Thread length Inside mm	Ss mm	Packaging in pcs.
	Outside	Inside				
280.91.012	16	12	8	13	19	50
280.91.016	20	16	8	13	22	50
280.91.020	25	20	10	16	28	20
280.91.025	32	25	12	18	35	20
280.91.032	40	32	13	20	45	10
280.91.040	50	40	13	20	52	5
280.91.050	63	50	15	23	64	5



FEMM

Cat. no. FEMM	Thread m. x 1.5		Thread length Outside mm	Thread length Inside mm	Ss mm	Packaging in pcs.
	Outside	Inside				
280.92.012	12	16	10	8	19	50
280.92.016	16	20	10	8	22	50
280.92.020	20	25	12	8	28	50
280.92.025	25	32	15	10	35	20
280.92.032	32	40	15	12	45	20
280.92.040	40	50	16	13	52	10
280.92.050	50	63	19	13	64	5

FGKM



Polyamide 6 locknut with metric thread, available in black, zero halogen and non-flame propagating.

Technical specifications:

- material: polyamide 6 (PA6)
- temperature resistance range: -40°C to +120°C, short-term temperature resistance up to +150°C
- colour: black
- zero halogen
- non-flame propagating

Cat. no. FGKM black	Thread m. x 1.5	Type	Ss mm	Packaging in pcs.
288.20.016	16	16	22	100
288.20.020	20	20	26	100
288.20.025	25	25	32	50
288.20.032	32	32	40	50
288.20.040	40	40	50	25
288.20.050	50	50	60	25
288.20.063	63	63	74	25

FGMM



Metal locknut made of nickel-plated brass with metric thread, non-flame propagating.

Technical specifications:

- material: nickel-plated brass
- temperature resistance range: -45°C to +400°C
- non-flame propagating

Cat. no. FGMM	Thread m. x 1.5	Type	Ss mm	Packaging in pcs.
288.10.016	16	16	19	100
288.10.020	20	20	24	100
288.10.025	25	25	30	50
288.10.032	32	32	36	50
288.10.040	40	40	46	25
288.10.050	50	50	59	25
288.10.063	63	63	70	10

FDRM



Sealing ring for connections with metric thread, available in grey.

Cat. no. FDRM grey	Thread m. x 1.5	Type	Packaging in pcs.
288.90.016	16	16	100
288.90.020	20	20	100
288.90.025	25	25	50
288.90.032	32	32	50
288.90.040	40	40	20
288.90.050	50	50	20
288.90.063	63	63	10

Cable Protection Accessories



FGKP

Polyamide 6 locknut with Pg thread, available in black, zero halogen and non-flame propagating.

Technical specifications:

- material: polyamide 6 (PA6)
- temperature resistance range: -40°C to +120°C, short-term temperature resistance up to +150°C
- colour: black
- zero halogen
- non-flame propagating

Cat. no. FGKP black	Thread Pg.	Type	Ss mm	Packaging in pcs.
288.25.007	7	7	19	100
288.25.009	9	9	22	100
288.25.011	11	11	24	100
288.25.013	13.5	13.5	27	100
288.25.016	16	16	30	50
288.25.021	21	21	36	50
288.25.029	29	29	46	25
288.25.036	36	36	60	25
288.25.048	48	48	70	25



FGMP

Metal locknut made of nickel-plated brass with Pg thread, non-flame propagating.

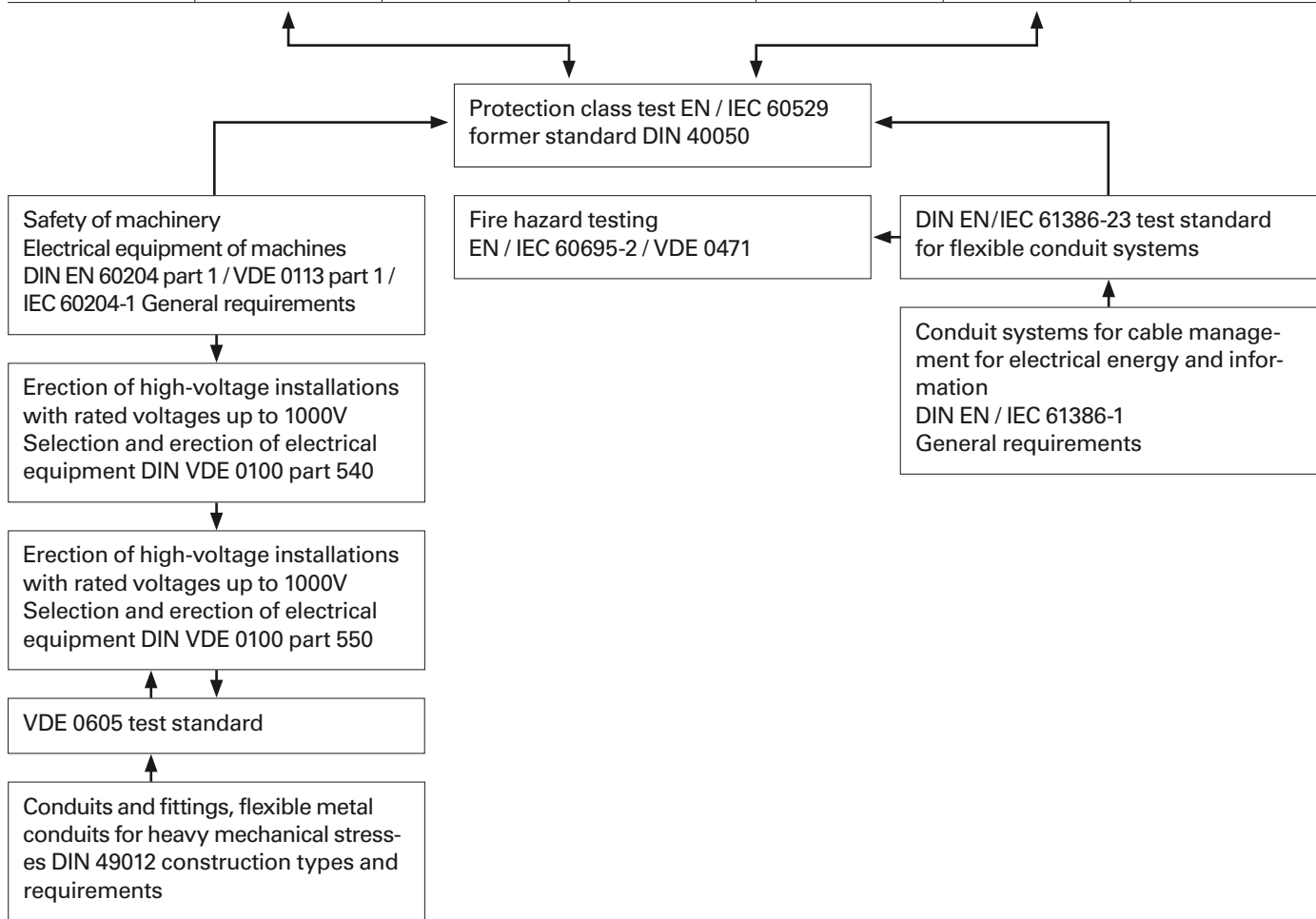
Technical specifications:

- material: nickel-plated brass
- temperature resistance range: -45°C to +400°C
- non-flame propagating

Cat. no. FGMP	Thread Pg.	Type	Ss mm	Packaging in pcs.
288.15.007	7	7	15	100
288.15.009	9	9	19	100
288.15.011	11	11	22	100
288.15.013	13.5	13.5	24	100
288.15.016	16	16	27	50
288.15.021	21	21	32	50
288.15.029	29	29	42	50
288.15.036	36	36	52	25
288.15.048	48	48	66	10

Standards

DIN 40430 Steel conduit thread PG			Thread standards	DIN EN 60423 Metric thread for conduits for electrical installations and threaded connectors		
Pg.	Outside Ø	Pitch		m.	Outside Ø	Pitch
7	12.5	1.27		10	10.0	1.0
9	15.2	1.41		12	12.0	1.5
11	18.6	1.41		16	16.0	1.5
13.5	20.4	1.41		20	20.0	1.5
16	22.5	1.41		25	25.0	1.5
21	28.3	1.588		32	32.0	1.5
29	37.0	1.588		40	40.0	1.5
36	47.0	1.588		50	50.0	1.5
42	54.0	1.588		63	63.0	1.5
48	59.3	1.588				



Technical Appendix

Definition: protection class

DIN EN 60529 identifies protection classes by 4-digit codes. The two-letter abbreviation IP (International Protection) comes first and always stays the same. The protection levels are complemented by two digits. The first digit stands for protection

against contact and foreign objects, the second digit stands for protection against water.

For example:

IP54 (1st digit = 5 and 2nd digit = 4)

Protection levels against contact and foreign objects				Protection levels against water		
1st digit	Designation	Degree of protection contact	Degree of protection foreign objects	2nd digit	Designation	Degree of protection water protection
0	No protection	No particular protection of persons against direct contact with live or moving parts.	No protection of the equipment against ingress of solid, foreign objects.	0	No protection	No particular protection.
1	Protection against large foreign objects	Protection against accidental or inadvertent contact by large surfaces of the body with live and/or internal moving parts, e.g. back of hand, but no protection against deliberate access to these parts.	Protection against ingress of solid, foreign objects in a diameter of > 50mm.	1	Protection against vertically falling drops of water	Vertically falling drops of water shall have no harmful effect.
2	Protection against medium-sized foreign objects	Protection against finger contact with live and/or internal moving parts.	Protection against ingress of solid, foreign objects in a diameter of > 12mm.	2	Protection against diagonally dripping water	Dripping water falling at an angle of 15° shall have no harmful effect.
3	Protection against small foreign objects	Protection against contact between live and/or internal moving parts and tools, wires or similar objects the like with a thickness of > 2.5mm.	Protection against ingress of solid, foreign objects in a diameter of > 2.5mm.	3	Protection against spraying water	Water falling at an angle of 60° from the vertical shall have no harmful effect.
4	Protection against granular foreign objects	Protection against contact between live and/or internal moving parts and tools, wires or similar objects with a thickness of > 1mm.	Protection against ingress of solid, foreign objects in a diameter of > 1mm.	4	Protection against spraying water	Water splashing against equipment from any direction shall have no harmful effect.
5	Protection against dust deposits	Complete protection against contact with live and/or internal moving parts.	Protection against harmful dust deposits. Ingress of dust is not entirely prevented. The quantity of dust entering must not interfere with operation.	5	Protection against water jets	Water projected by a nozzle against equipment from any direction shall have no harmful effect.
6	Protection against dust ingress	Complete protection against contact with live and/or internal moving parts.	Protection against ingress of dust.	6	Protection against flood water	Water in harmful quantities must not enter the equipment in case of heavy seas or powerful jets of water.
-	-	-	-	7	Protection during short immersion	Water must not enter in harmful quantities if equipment is immersed in water under defined conditions of pressure and time.
-	-	-	-	8	Protection during continuous submersion	Water must not enter in harmful quantities if equipment is submersed in water (1.2m water depth, 1 hour)

Technical Appendix

Chemical properties of plastics

Please note

The following information is provided to the best of our current knowledge and experience. We reserve the right to make technical changes or improvements to our products. The customer is responsible for conducting adequate

incoming inspections, tests and other inspections. The customer is also solely responsible for observing industrial property rights, laws and regulations.

Medium	Concentration in %	PVC-U	PE-HD	PP	PA6	TPE
Hydrochloric acid emissions	any	+	+	+	o	
Sulfuric acid emissions	any	+	+	+	-	
Liquid ammonia	TR	+	+	+	+	o
Gaseous ammonia	TR	+	+	+	+	o
Gasoline	H	+	+	o	+	o
Benzene	TR	-	o	o	+	-
Beer	H	-	+	+	+	
Gaseous, dry chlorine	TR	o	o	-	-	o
Diesel fuel	H	+	+	+	+	
Aqueous fertiliser salt	saturated	+	+	+		
Photographic developer	H	+	+	+	-	
Vinegar (wine vinegar)	H	+	+	+	-	+
Anti-freeze	H	+	+	+	o	
Fruit juices	H	+	+	+	-	
Aqueous uric acid	33%	+	+	+	+	
Fuel oil	H	+	+	+	+	
Sea water	H	+	+	+	+	
Methanol	TR	+	+	+	+	
Milk	H	+	+	+	+	+
Mineral oil	H	+	+	+	+	-
Vegetable and animal oils	H	+	+	+	+	o
Paraffin	TR	+	+	+	+	
Gaseous propane	TR	+	+	+	+	
Nitric acid	30%	+	o	o	-	o
Hydrochloric acid	30%	+	+	+	-	o
Sulfuric acid	40%	+	+	+	-	o
Terpentine	TR	+	o	-	+	
Detergent	VL	+	+	+	+	

Note: The information mentioned above applies to 20 °C. The concentration (%) and the temperature must always be indicated additionally for special applications.

VL = aqueous solution, rate \geq 10%

GL = saturated solution, aqueous

TR = minimum requirement: technically pure

H = standard composition

+ = resistant

o = limitedly resistant

- = non-resistant

Designation of materials:

PA = polyamide

TPE = thermoplastic polyester

PP = polypropylene

PVC = polyvinylchloride

PE-LD = low-density polyethylene

Technical Appendix

Chemical properties of metals

Please note

The following information is provided to the best of our current knowledge and experiences. We reserve the right to make technical changes or improvements to our products. The customer is responsible for conducting adequate

incoming inspections, tests and other inspections. The customer is also solely responsible for observing industrial property rights, laws and regulations.

Medium	Concentration in %	Galvanised steel strip	Galvanised steel strip, metal braiding	Galvanised steel strip, PVC, metal braiding	Stainless steel V2A	Brass
Hydrochloric acid emissions	any			+	-	o
Sulfuric acid emissions	any			+	o	-
Liquid ammonia	TR	+	+	+	+	o
Gaseous ammonia	TR	+	+	+	+	-
Gasoline	H			+	+	+
Benzene	TR	+	+	-	+	+
Beer	H			-	+	+
Gaseous, dry chlorine	TR	+	+	o	-	-
Diesel fuel	H	+	+	+	+	+
Aqueous fertiliser salt	saturated			+		
Photographic developer	H			+	+	
Vinegar (wine vinegar)	H			+	+	-
Anti-freeze	H			+	+	+
Fruit juices	H			+	+	-
Aqueous uric acid	33%			+	o	o
Fuel oil	H	+	+	+	+	+
Sea water	H			+	o	o
Methanol	TR			+	+	+
Milk	H	+	+	+	+	o
Mineral oil	H			+	+	+
Vegetable and animal oils	H			+	+	o
Paraffin	TR	+	+	+	+	+
Gaseous propane	TR			+	+	+
Nitric acid	30%			+	-	-
Hydrochloric acid	30%			+	o	-
Sulfuric acid	40%	+	+	+	-	-
Terpentine	TR	+	+	+	+	o
Detergent	VL			+	+	o

Note: The information mentioned above applies to 20°C. The concentration (%) and the temperature must always be indicated additionally for special applications.

VL = aqueous solution, rate ≥ 10%
 GL = saturated solution, aqueous
 TR = minimum requirement: technically pure
 H = standard composition

+ = resistant
 o = limitedly resistant
 - = non-resistant

Designation of materials:

Galvanised steel strip
 Galvanised steel strip, metal braiding
 PVC, metal braiding
 Stainless steel V2A
 Brass

Technical Appendix

Classification code

Electrical installation conduits must comply with the requirements of DIN EN 61386 (VDE 0605). These standards determine the classifications, identification and VDE tests. The twelve-digit code classifies conduits and fittings according to compressive strength, impact strength and the minimum and maximum operating temperatures and bending

during transport, storage and use. Electrical properties, protection class, corrosion resistance and tensile strength as well as flame propagation resistance and suspended load capacity are also indicated.

	Meaning	0	1	2	3	4	5	6	7
First digit	Resistance to compression	-	125N	320N	750N	1250N	4000N	-	-
Second digit	Resistance to impact stresses	-	0.5kg	1kg	2kg	2kg	6.8kg	-	-
Third digit	Minimum temperature range	-	+5 °C	-5 °C	-15 °C	-25 °C	-45 °C	-	-
Fourth digit	Maximum temperature range	-	+60 °C	+90 °C	+105 °C	+120 °C	+150 °C	+250 °C	+400 °C
Fifth digit	Resistance against bending	-	rigid	flexible	flexible, moves back on its own	flexible	-	-	-
Sixth digit	Electrical properties	not declared	with electrical conductivity properties	with electrical insulation properties	with electrical conductivity and insulation properties	-	-	-	-
Seventh digit	Protection against ingress of solid foreign objects	protection class IP -	protection class IP -	protection class IP -	protection class IP 3X	protection class IP 4X	protection class IP 5X	protection class IP 6X	protection class IP -
Eighth digit	Protection against ingress of water	protection class IP X0	protection class IP X1	protection class IP X2	protection class IP X3	protection class IP X4	protection class IP X5	protection class IP X6	protection class IP X7
Ninth digit	Resistance against corrosion	-	low protection	medium protection	medium inside, high outside protection	high protection	-	-	-
Tenth digit	Tensile strength	not declared	100N	250N	500N	1000N	2500N	-	-
Eleventh digit	Resistance against flame propagation	-	non-flame propagating	flame propagating	-	-	-	-	-
Twelfth digit	Suspended load capacity	not declared	20N	30N	150N	450N	850N	-	-

Technical Appendix

Classification code

Explanation of test methods for different temperature indications:

Temperature resistance test according to LV312-3 is conducted without load being applied.

Temperature resistance test according to DIN EN 61386-23 is conducted with the test load described in the standard being applied.

All accessories have been tested for flame propagation according to DIN 61386-1 using the glow-wire test, according to DIN IEC 60695-2-11.

The classification code refers to the tests according to DIN EN 61386-23.

The following is based on type 17 and type 20:

Conduit type	First digit	Second digit	Third digit	Fourth digit	Fifth digit	Sixth digit	Page
FFMYD-PA6	1	2	5	4	4	0	12
FFMYD-L	0	2	4	4	4	0	13
FFHY	0	3	5	3	4	0	14
FFTYL-BS	0	4	5	1	4	2	15
FFTYL-V	0	4	5	0	4	2	16
FFPYL-MOD-BS	0	3	3	1	4	2	17
Co-flex PP-UV	1	3	4	3	4	0	36
Co-flex PP black	1	3	4	3	4	0	37
Co-flex PP white	1	3	4	3	4	0	38
Co-flex PA6	1	2	4	5	4	0	39
FFMSS	4	3	5	7	4	1	43
FFMSS-K-FD	4	3	4	1	4	3	44
FFMSS-K	4	3	4	1	4	3	45
FFMSS-G	4	3	5	7	4	1	46
FFMSS-VA	4	3	5	7	4	1	47
FFKSS-SW	4	2	4	1	4	0	52
FFKSS-KW	1	3	4	1	4	2	53

Your connection to us

Division Director

Bernd Späth +49 9525 88-562
bernd.spaeth@fraenkische.de

Head of Domestic Sales

Peter Kneuer +49 9525 88-405
peter.kneuer@fraenkische.de

Administration

Marion Engelhardt +49 9525 88-117
marion.engelhardt@fraenkische.de

Telefax: +49 9525 88-151
PC Fax: +49 9525 88-92-...

Sales

Bernd Flögel +49 9525 88-234
bernd.floegel@fraenkische.de

Michael Mai +49 9525 88-718
michael.mai@fraenkische.de

Klaus Rambacher +49 9525 88-203
klaus.rambacher@fraenkische.de

Ralph Rosenau +49 9525 88-294
ralph.rosenau@fraenkische.de

Telefax: +49 9525 88-151
PC Fax: +49 9525 88-92-...

Sales Administration

Matthias Baunacher +49 9525 88-468
matthias.baunacher@fraenkische.de

Alexander Hofmann +49 9525 88-521
alexander.hofmann@fraenkische.de

Marketing

Sabrina Heusel +49 9525 88-8192
sabrina.heusel@fraenkische.de

Claudia Pfister +49 9525 88-8133
claudia.pfister@fraenkische.de

Telefax: +49 9525 88-412
PC Fax: +49 9525 88-92-...

Order Processing

Gabriele Wolfschmidt +49 9525 88-233
gabi.wolfschmidt@fraenkische.de

Lena Hümmel +49 9525 88-278
lena.huemmer@fraenkische.de

Carmen Stöhr +49 9525 88-303
carmen.stoehr@fraenkische.de

Manuela Schlereth +49 9525 88-386
manuela.schlereth@fraenkische.de

Telefax: +49 9525 88-151
PC Fax: +49 9525 88-92-...

Project Management

Angelika Greul +49 9525 88-541
angelika.greul@fraenkische.de

Claudia Lediger +49 9525 88-541
claudia.lediger@fraenkische.de

Thomas Kaiser +49 9525 88-449
thomas.kaiser@fraenkische.de

Telefax: +49 9525 88-151
PC Fax: +49 9525 88-92-...

Technical Consulting

Hotline for user questions +49 9525 88-8123

Telefax: +49 9525 88-151
PC Fax: +49 9525 88-92-...



Your connection to us

Head of Export Sales

Andreas Wrzosok +49 9525 88-8530
andreas.wrzosok@fraenkische.de

Export Sales

Tamara Schneider +49 9525 88-416
tamara.schneider@fraenkische.de

Helene Mierau +49 9525 88-417
helene.mierau@fraenkische.de

Petra Sieghörtner +49 9525 88-724
petra.sieghoertner@fraenkische.de

Carmen Gahl +49 9525 88-8620
carmen.gahl@fraenkische.de

Foreign offices

Austria

Euro Unitech
Rainer Breineßl
Floridsdorfer Hauptstraße 1
Floridotower, 4. Stock
A-1210 Wien
AUSTRIA

Phone +43 (1) 6627250-13
Fax +43 (1) 6167506
Mobil –

r.breinessl@eurounitech.at
www.eurounitech.at

Switzerland

Partec GmbH Technical Distribution
Jonny Billeter
Mettlenbachstr. 29
8617 Mönchaltorf
SWITZERLAND

Phone +41 43 2778405
Fax +41 43 2778406
Mobil –

jonny.billeter@par-tec.ch
www.par-tec.ch

Netherlands

Gunneman BV
2e Industrieweg 4
8051 CM Hattem
NETHERLANDS

Phone +31 (0) 38 443 24 00
Fax +31 (0) 38 443 24 99
Mobil –

info@gunneman.nl
www.gunneman.nl

Czech Republic / Slovakia

Fraenkische CZ s.r.o.
u Kapličky 591
67521 Okříšky
CZECH REPUBLIC

Pavel Hermansky
Phone +420 325 655031
Fax +420 325 655031
Mobil +420 602 435597

pavel.hermansky@
fraenkische-elektro-cz.com
www.fraenkische-elektro.cz

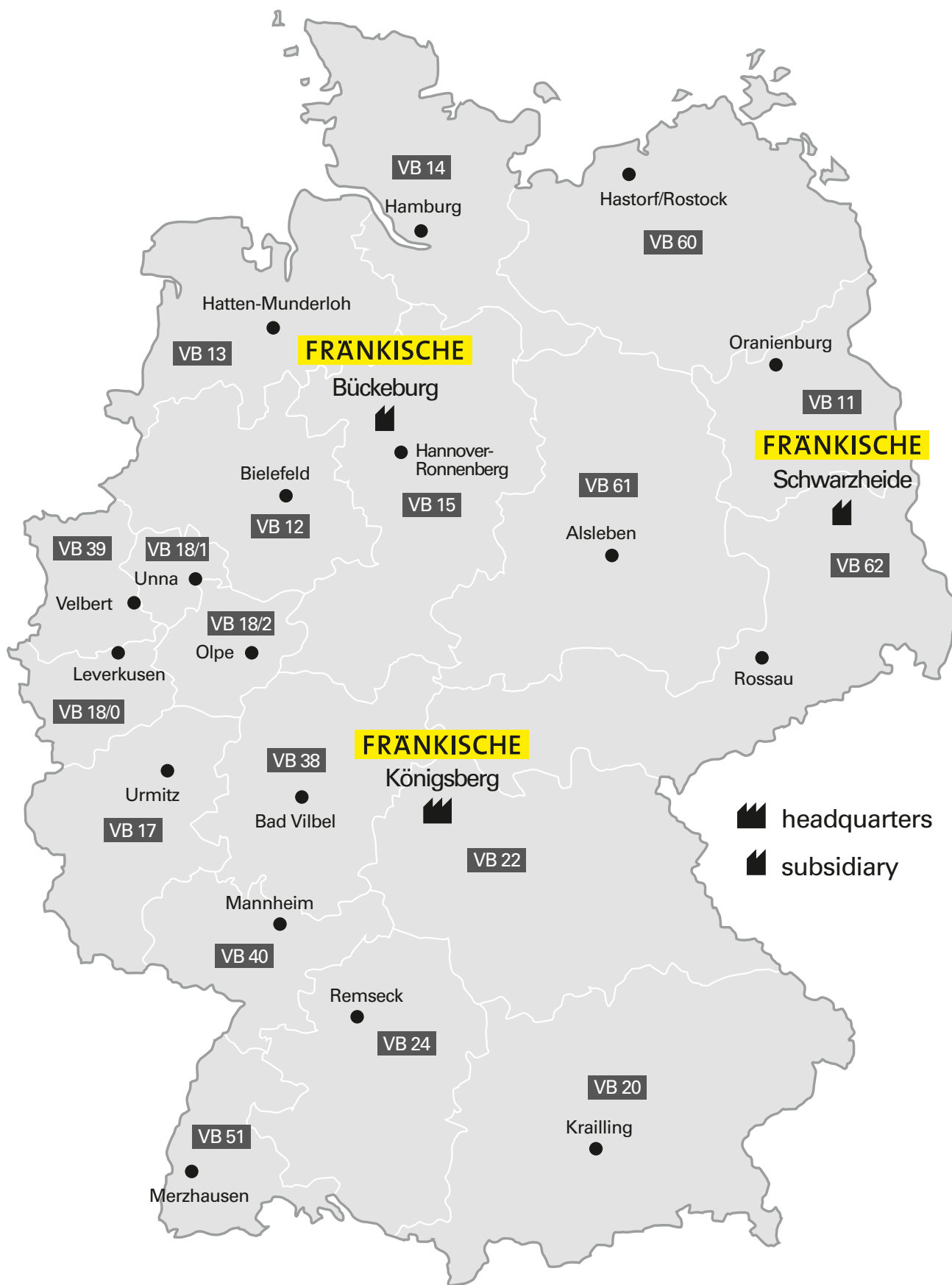
Jan Strup
Phone +420 321 768135
Fax +420 321 768135
Mobil +420 602 435581

jan.strup@fraenkische-elektro-cz.com
www.fraenkische-elektro.cz

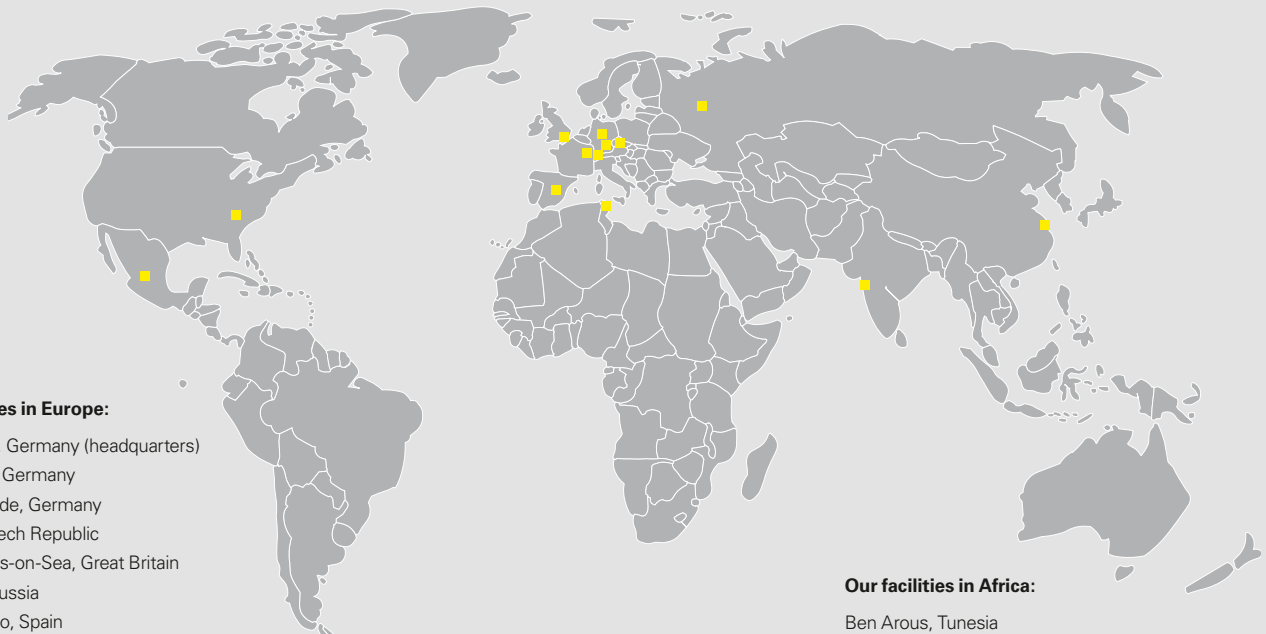
Domestic offices

- VB 11**
Oranienburg-Berlin
Reiner Brajeska GmbH
An den Dünen 3
16515 Oranienburg
Phone +49 3301 6717-0
Telefax +49 3301 700325
info@brajeska.de
www.brajeska.de
- VB 12**
Bielefeld
Ulrich Tiemann
Industrievertretungen e. K.
Querstraße 9
33729 Bielefeld
Phone +49 521 2850-81
Telefax +49 521 2850-83
info@tiemann-bielefeld.de
www.tiemann-bielefeld.de
- VB 13**
Hatten – Bremen
Geisthardt GmbH
Gewerbepark 8
26209 Hatten-Munderloh
Phone +49 4482 9288-13
Telefax +49 4482 9288-44
arians@geisthardt.de
www.geisthardt.de
- VB 14**
Hamburg
Hans J. Möller
Inhaber: Andreas Möller
Wendenstraße 195 A
20537 Hamburg
Phone +49 40 2514-061
Telefax +49 40 2514-614
info@hjmoeller.de
www.hjmoeller.de
- VB 15**
Ronnenberg – Hannover
Detlef Sikora GmbH
OT Empelde
Lägenfeldstraße 7
30952 Ronnenberg
Phone +49 511 43804-0
Telefax +49 511 43804-49
hannover@sikora.de
www.sikora.de
- VB 17**
Urmitz – Koblenz
Bernd Oedekoven GmbH
Rudolf-Diesel-Straße 11
56220 Urmitz
Phone +49 2630 9635-0
Telefax +49 2630 9635-35
info@oedekovengmbh.de
www.oedekovengmbh.de
- Branch Office:**
Ringstraße 31
54318 Mertensdorf
Phone +49 651 53771
Telefax +49 651 53984
- VB 18/0**
Leverkusen
Martin Rösgen
Julius-Doms-Str. 15
51373 Leverkusen
Phone +49 214 602-6555
Telefax +49 214 602-6719
info@ivroesgen.de
www.ivroesgen.de
- VB 18/1**
Unna
Black GmbH & Co. KG
Alfred-Nobel-Straße 12
59423 Unna
Phone +49 2303 9674-0
Telefax +49 2303 9674-11
unna@ehv-black.de
www.ehv-black.de
- VB 18/2**
Olpe/Südwestfalen
Ochsenfeld Handelsagentur
Hagener Straße 6
57399 Kirchhundem-W.E.
Phone +49 2764 21569-0
Telefax +49 2764 21569-9
zentrale@ochsenfeld-ha.de
www.ochsenfeld-ha.de
- VB 20**
Krailling – München
Alfons Brummer & Co. GmbH
Felix-Wankel-Straße 4
82152 Krailling
Phone +49 89 899968-0
Telefax +49 89 899968-23
info@brummer.de
www.brummer.de
- VB 22**
Northern Bavaria
Fränkische Rohrwerke
Klaus Rambacher
97486 Königsberg/Bayern
Phone +49 9525 88-203
Telefax +49 9525 88-151
klaus.rambacher@fraenkische.de
www.fraenkische-elektro.de
- VB 24**
Remseck – Stuttgart
Bossert Industrievertretungen
Industriegebiet Aldingen
Hofener Weg 17
71686 Remseck
Phone +49 711 577669-60
Telefax +49 711 577669-66
info@bossert-weissinger.de
www.bossert-weissinger.de
- VB 38**
Bad Vilbel
PLP Vertriebs GmbH
Siegfried Twers + Team
Theodor-Heuss-Str. 32
61118 Bad Vilbel
Phone +49 6101 5596-0
Telefax +49 6101 5596-55
info@plpteam.de
www.plpteam.de
- VB 39**
Velbert
Schardt OHG
Elektro-System-Technik
Bunsenstraße 10
42551 Velbert
Postfach 101153 · 42511 Velbert
Phone +49 2051 2806-0
Telefax +49 2051 2806-29
info@schardtohg.de
www.schardtohg.de
- VB 40**
Mannheim
Ralph Knobloch
Vertretung der Elektroindustrie
Soldnerstraße 4
68219 Mannheim/Mallau
Phone +49 621 842567-0
Telefax +49 621 842567-11
knobloch@r-knobloch.de
www.r-knobloch.de
- VB 51**
Merzhausen – Freiburg
Hipp-Industrievertretungs-GmbH
Zum Engelberg 4
79249 Merzhausen
Phone +49 761 402425
Telefax +49 761 408351
info@hipp-gmbh-fr.de
www.hipp-gmbh-fr.de
- VB 60**
Hastorf – Mecklenburg
Peter Frehse GmbH
Mitteldorf 5
18239 Hastorf/Rostock
Phone +49 38207 606-0
Telefax +49 38207 606-22
peterfrehse@t-online.de
www.peterfrehse.de
- VB 61**
**Alsleben – Sachsen-Anhalt/
Nordthüringen**
Harry Hermann
Industrievertretungen GmbH
Wiesenberg 5
06425 Alsleben
Phone +49 34692 265-0
Telefax +49 34692 265-55
info@harry-hermann.de
www.harry-hermann.de
- VB 62**
**Rossau – Sachsen/
Südthüringen**
Industrievertretung Ott GmbH
Am Rossauer Wald 6
09661 Rossau
Phone +49 37207 405-0
Telefax +49 37207 405-33
info@iv-ott.de
www.iv-ott.de

Domestic offices



Rooted in Königsberg – globally successful!



Our facilities in Europe:

Königsberg, Germany (headquarters)
Bückeberg, Germany
Schwarzheide, Germany
Okříšky, Czech Republic
St.-Leonards-on-Sea, Great Britain
Moscow, Russia
Yeles/Toledo, Spain
Rebstein, Switzerland
Torcy-le-Grand, France
Ebersbach/Fils, Germany
Hermsdorf, Germany

Our facilities in Asia:

Anting/Shanghai, China
Pune, India

Our facilities in Africa:

Ben Arous, Tunisia

Our facilities in North America and Mexico:

Anderson, USA
Guanajuato, Mexico

FRÄNKISCHE is an innovative, growth oriented, medium-sized family-owned enterprise and industry leader in the design, manufacturing and marketing of technically superior corrugated pipe systems for drainage, electrical, building technology and industrial applications.

We currently employ about 2,200 people worldwide. Both our many years of experience and expertise in plastics pro-

cessing, our consulting services and the large array of products are highly valued by our customers.

FRÄNKISCHE is a third generation family owned business that was established in 1906 and is now run by Otto Kirchner. Today, we are globally represented with production facilities and sales offices. The proximity to our customers enables us to develop products

and solutions that are perfectly tailored to our customers' needs. Our action and business philosophy focus on our customers and their needs and requirements for our products.

FRÄNKISCHE – Your partner for sophisticated and technologically advanced solutions.