

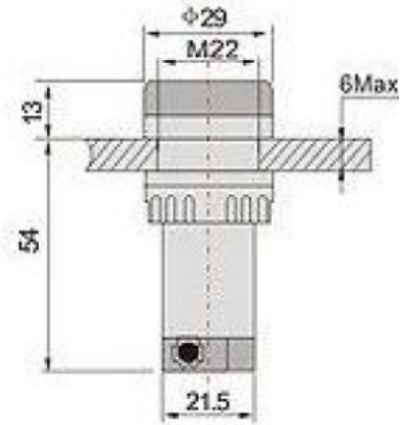


AD22-22DRS

Protected
LED
Indicator



AD22-22DRS



Voltage of working frequency	2.5kV(AC valid value),1min
Insulated resistance	$\geq 2M\Omega$
Voltage wave allowed by AC indicator	$\pm 20\%$
Continual working life	$\geq 30000h$
Brightness	$\geq 60cd/m^2$
Index of leakage CT1	≥ 100
Protection grade is IP40,and it is possible to be made to up to IP67	
Using frequency:	AC50~60Hz